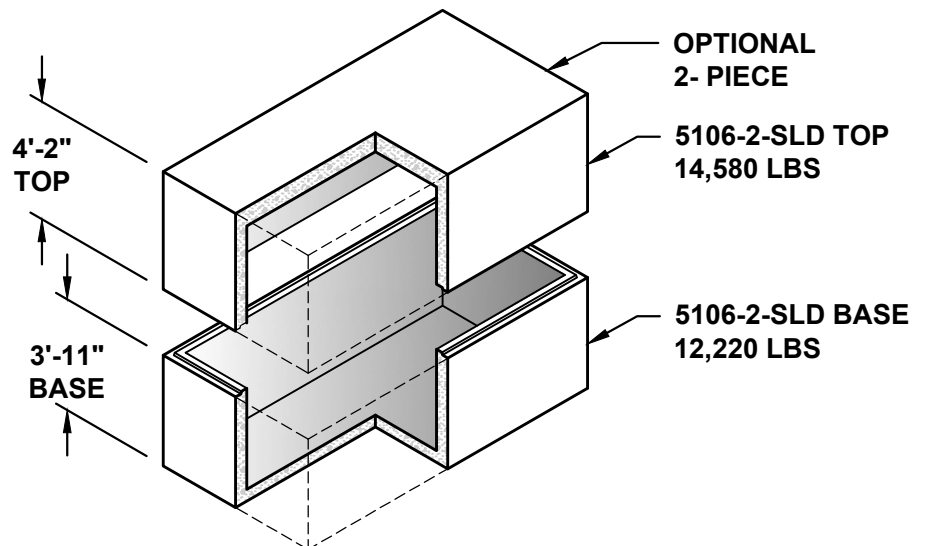
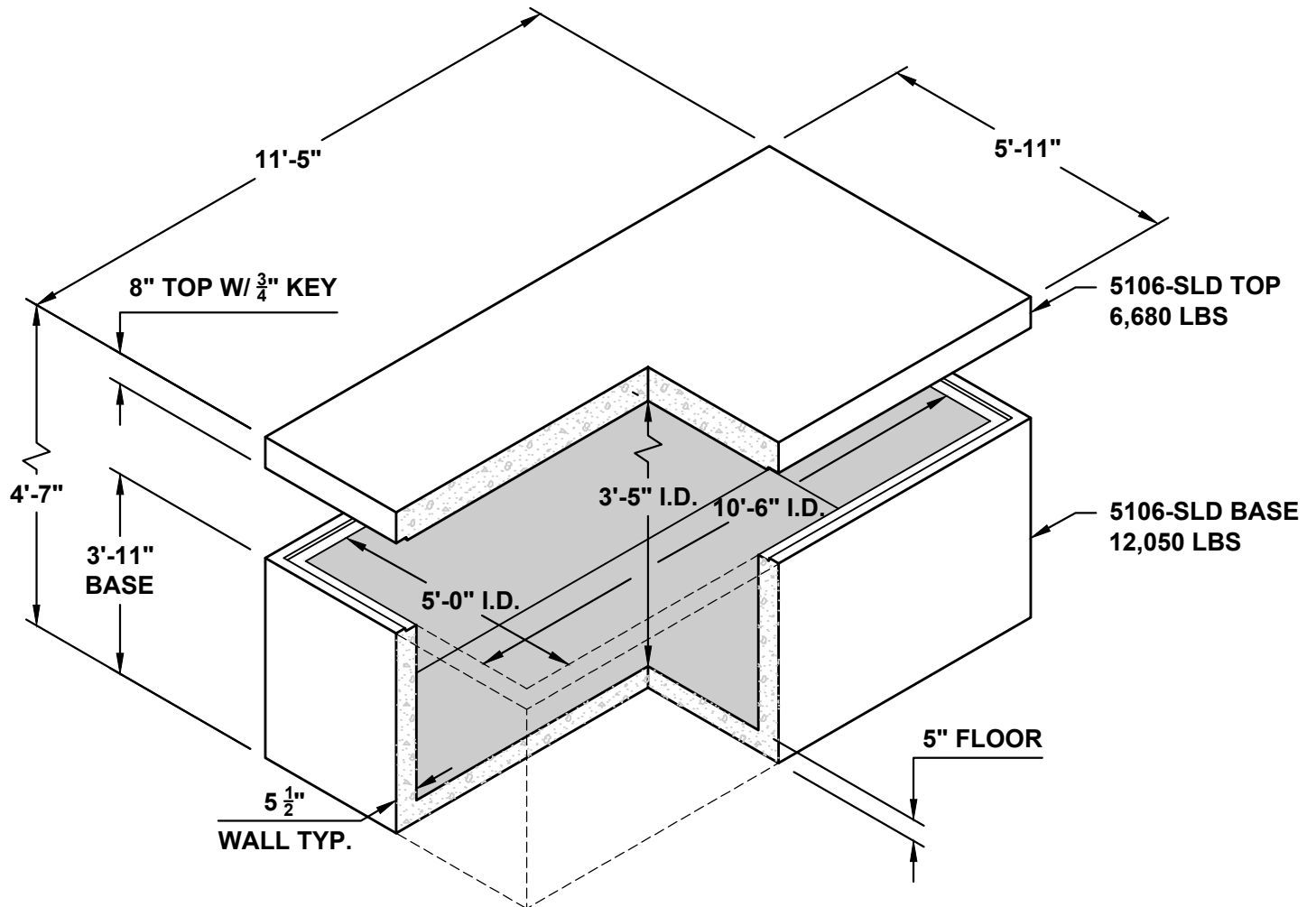


5106 - VAULT



NOTE:
 HEIGHT OF BASE & TOP ADJUSTABLE AS REQUIRED.
 OPTIONAL TOP ACCESS, MANHOLE FRAME & COVERS, & HATCHES AS NEEDED. VARIES SIZES AVAILABLE.
 OPTIONAL ACCESSORIES: STRUT CHANNEL, SUMPS, INSERTS, LADDERS, ETC.