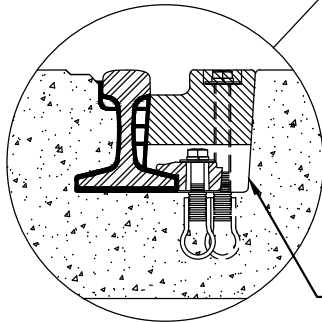
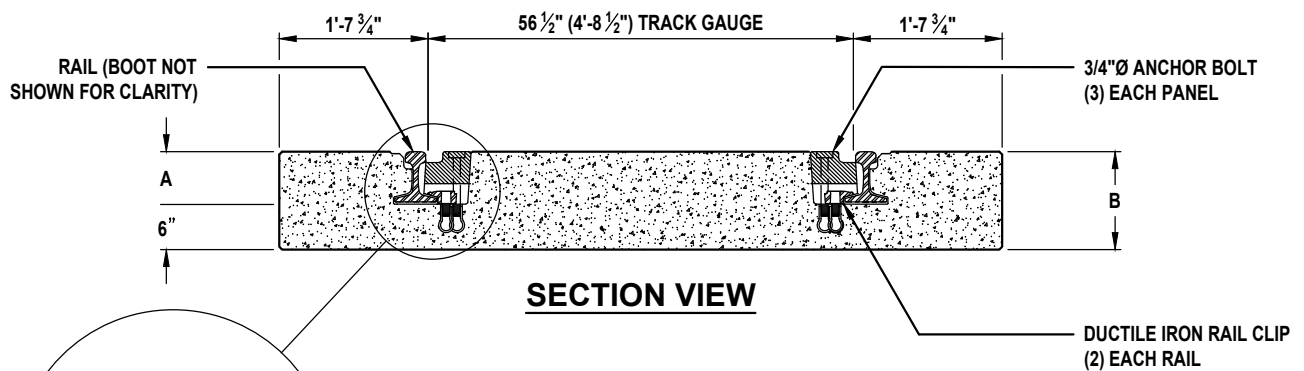
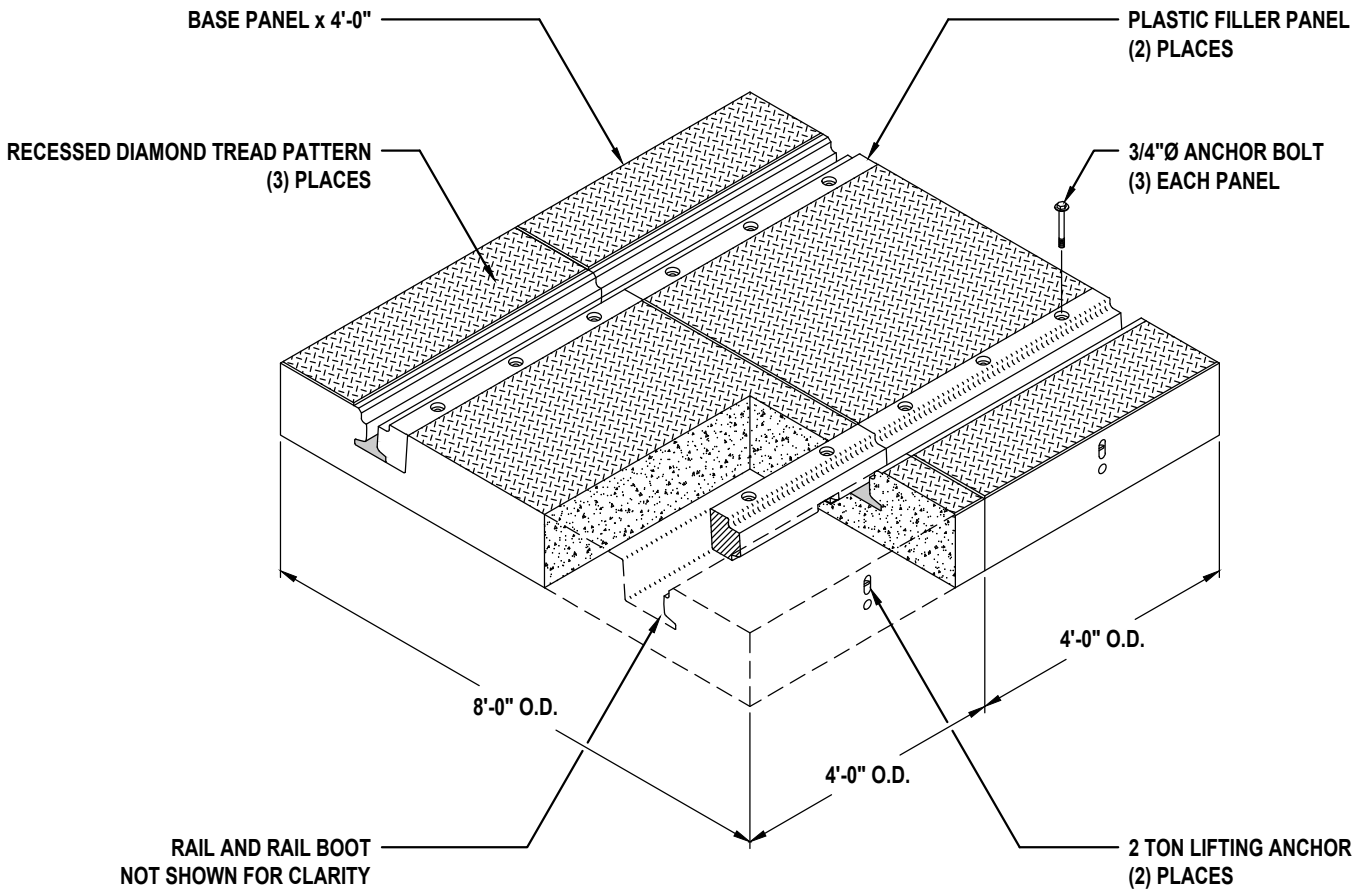


PREMIER® PLUS - 4'-0" MODULE



PANEL GEOMETRY:	A	B
112/115 POUND RAIL	6 13/16"	12 13/16"
132/136 POUND RAIL	7 5/16"	13 5/16"