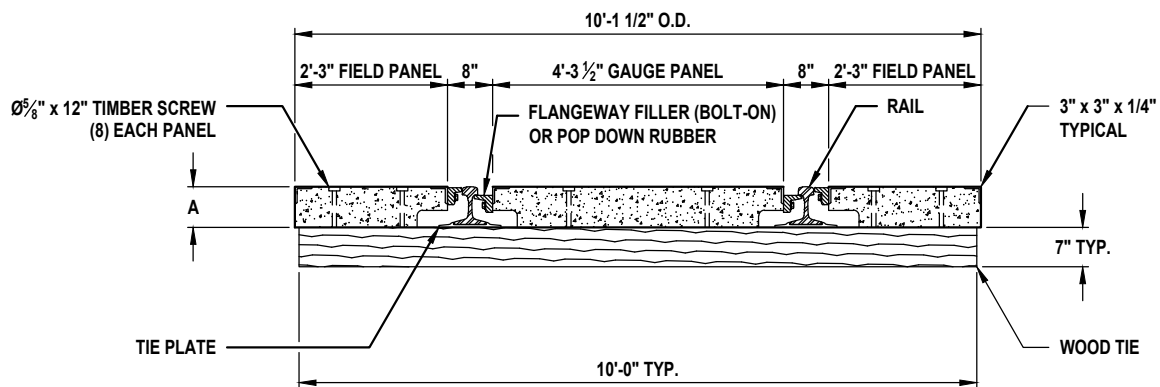
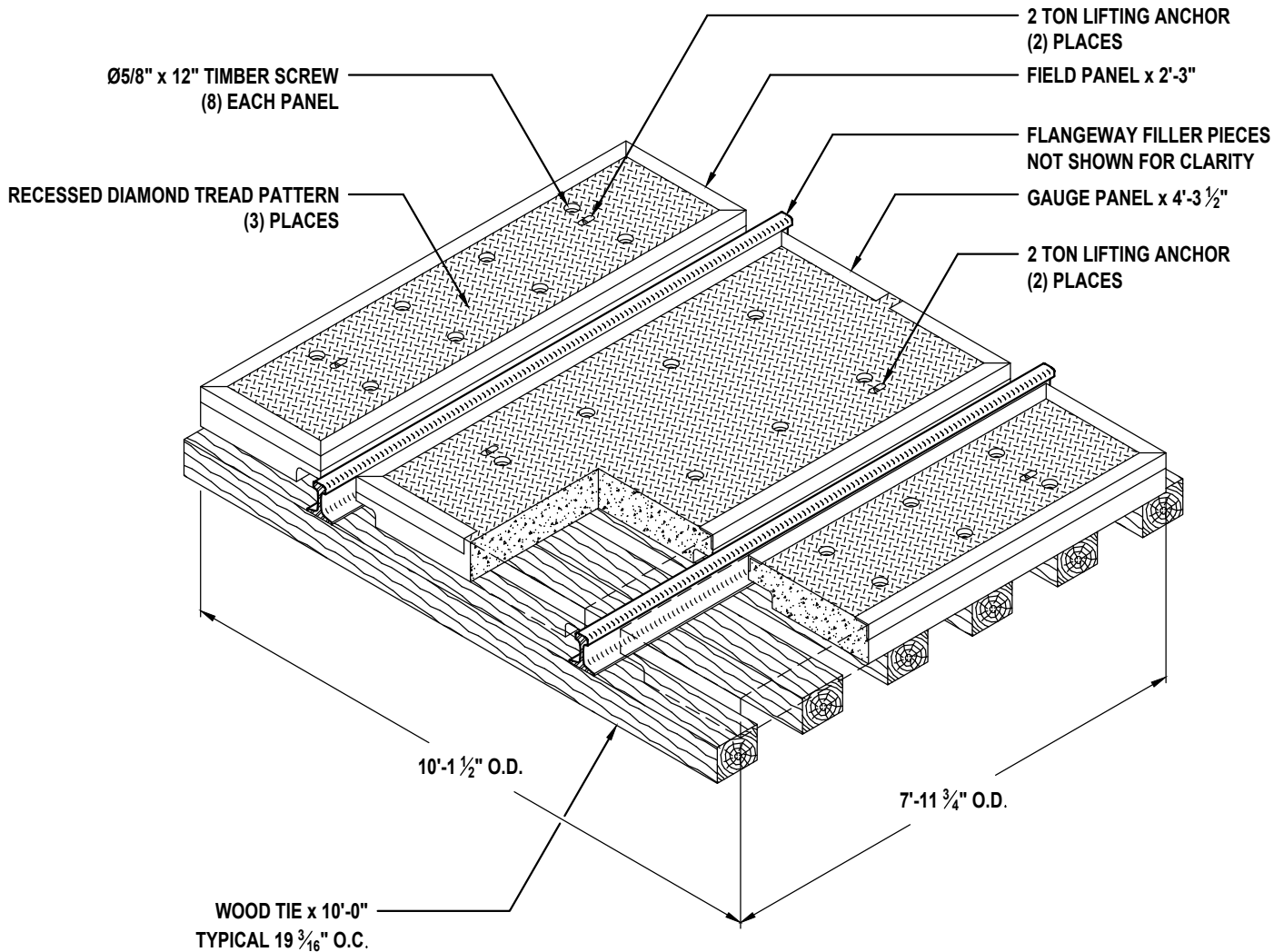


PREMIER® - 8'-0" CLAD PANEL



SECTION VIEW

PANEL GEOMETRY:	RAIL	A
112/115 POUND RAIL	6 ¹³ / ₁₆ "	7 ³ / ₁₆ "
132/136 POUND RAIL	7 ³ / ₁₆ "	7 ¹¹ / ₁₆ "