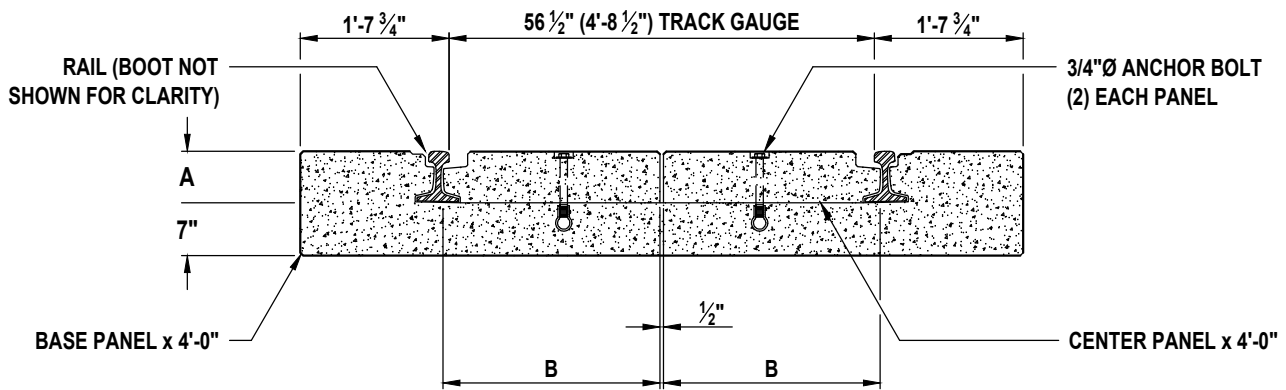
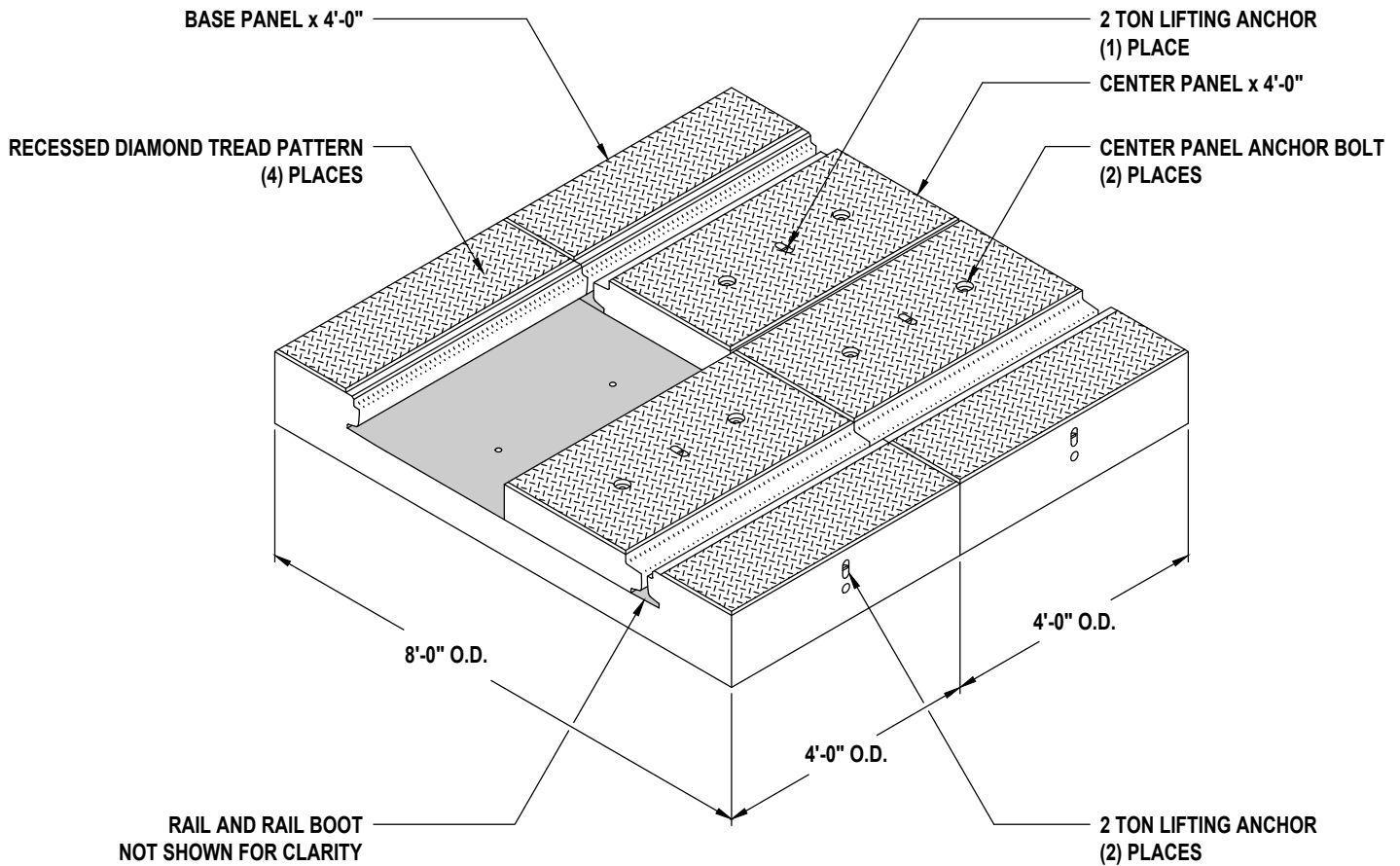


PREMIER® - 4'-0" MODULE



SECTION VIEW

CENTER PANEL GEOMETRY:	A	B
100 RB POUND RAIL	5 3/4"	2'-4 5/8"
100 RE/105 DUDLEY RAIL	6"	2'-4 5/8"
112/115 POUND RAIL	6 13/16"	2'-4 3/4"
132/136 POUND RAIL	7 5/16"	2'-5"