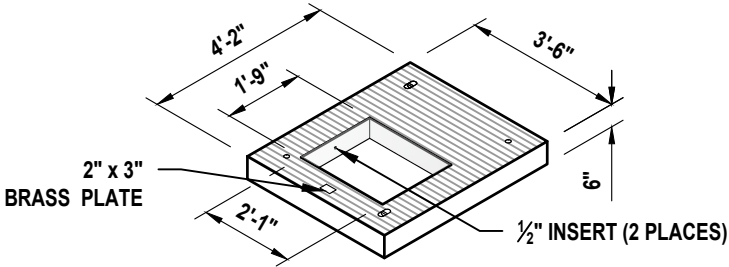
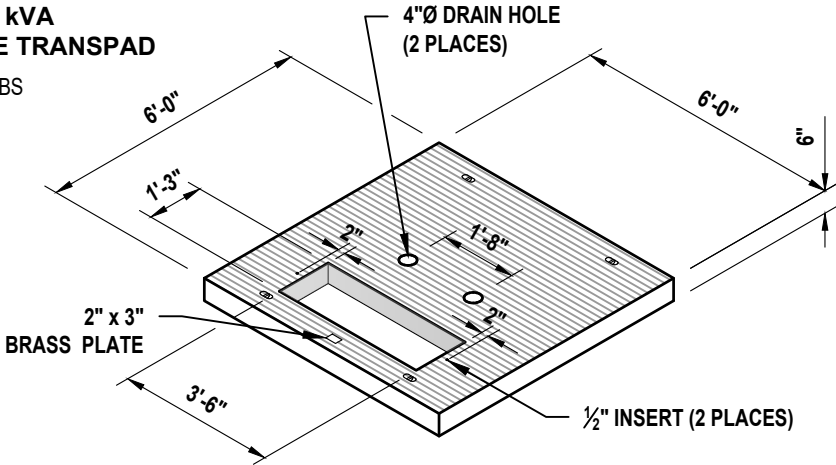


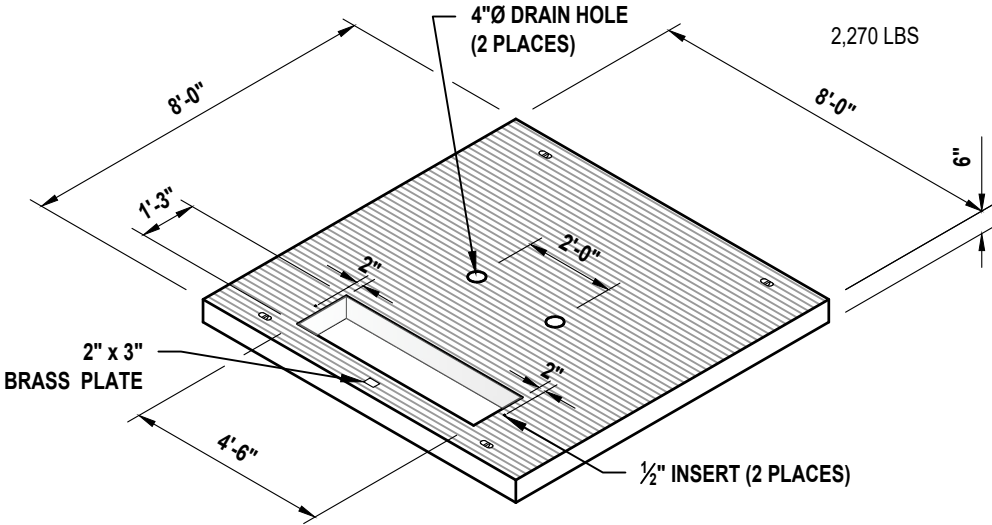
PGE - TRANSFORMER PADS



TRANSFORMER PADMOUNT - SINGLE PHASE
 25 - 75 kVA
 4250-2125-PGE TRANSPAD
 820 LBS



TRANSFORMER PADMOUNT - THREE PHASE
 75 - 300 kVA
 7272-1542-PGE TRANSPAD
 2,270 LBS



TRANSFORMER PADMOUNT - THREE PHASE
 500 - 1500 kVA
 9696-1554- PGE TRANSPAD
 4,370 LBS