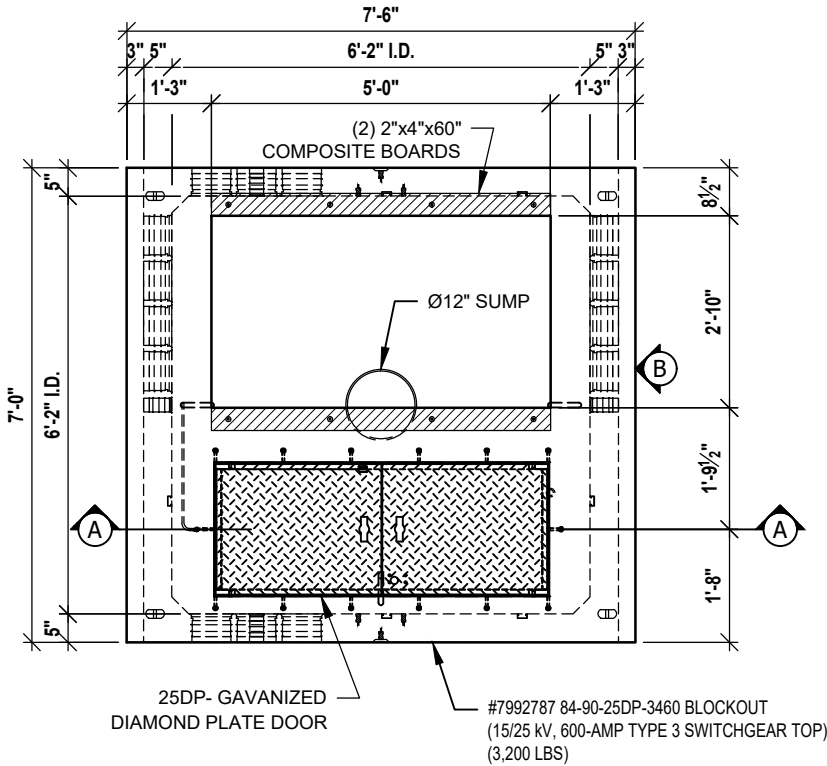
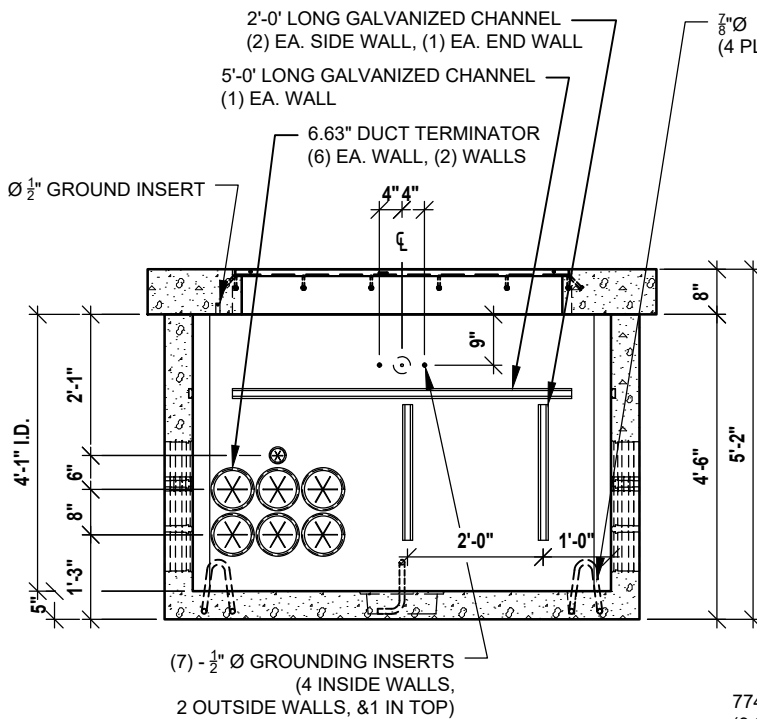


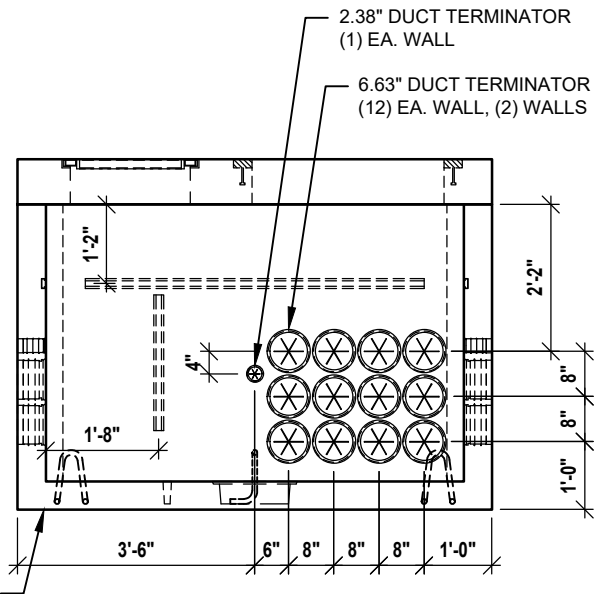
PACIFIC CORP 774 SWGEAR #7992787



PLAN VIEW
 SCALE: 3/8" = 1'-0"



SECTION VIEW
 SCALE: 3/8" = 1'-0"



VIEW B
 SCALE: 3/8" = 1'-0"

NOTES:
 1. WEIGHTS LISTED ARE APPROXIMATE.

PCORP ZG641 04-03-13