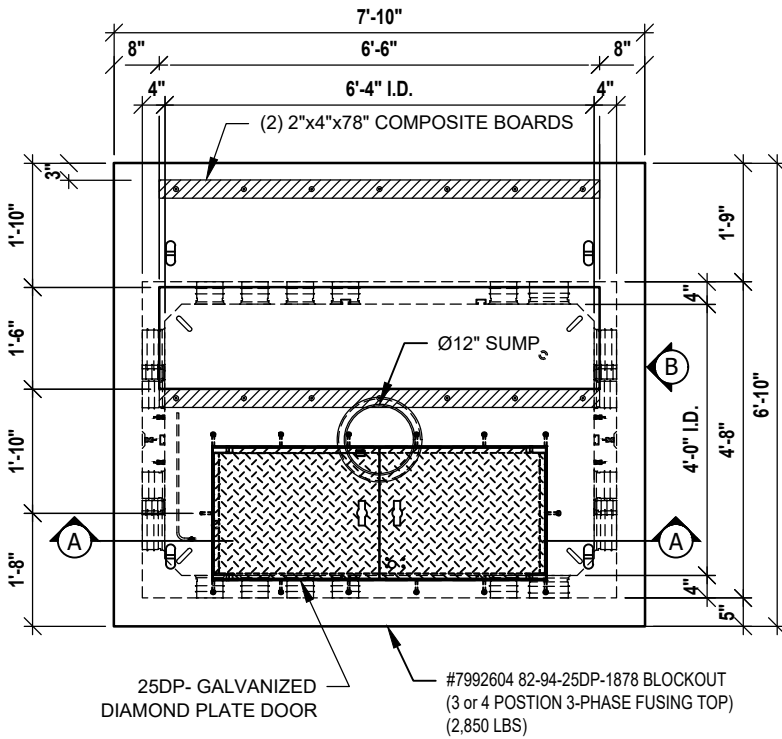
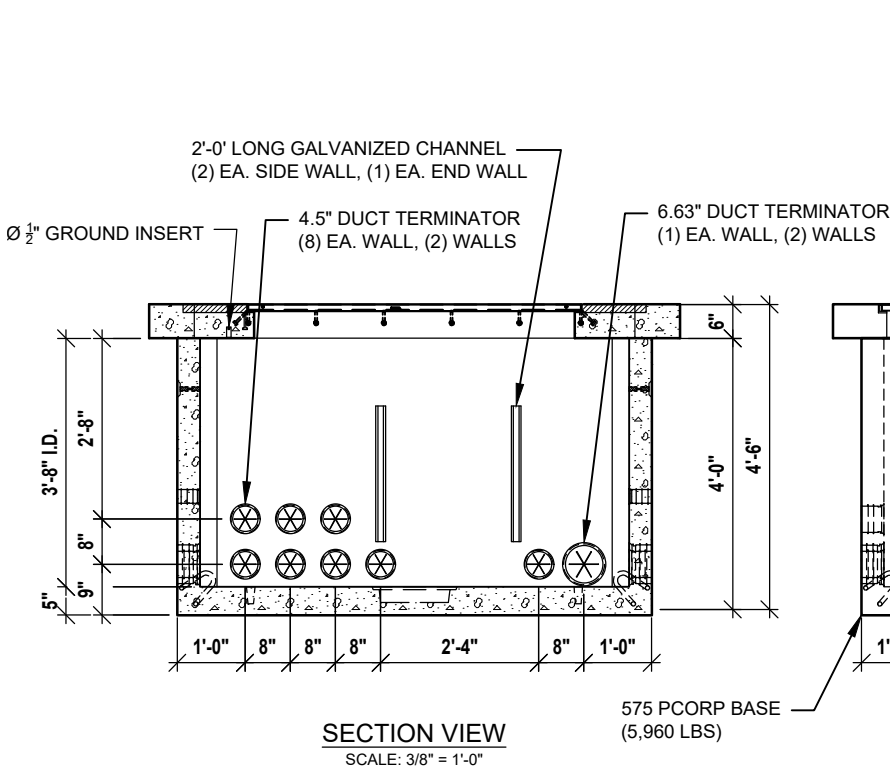


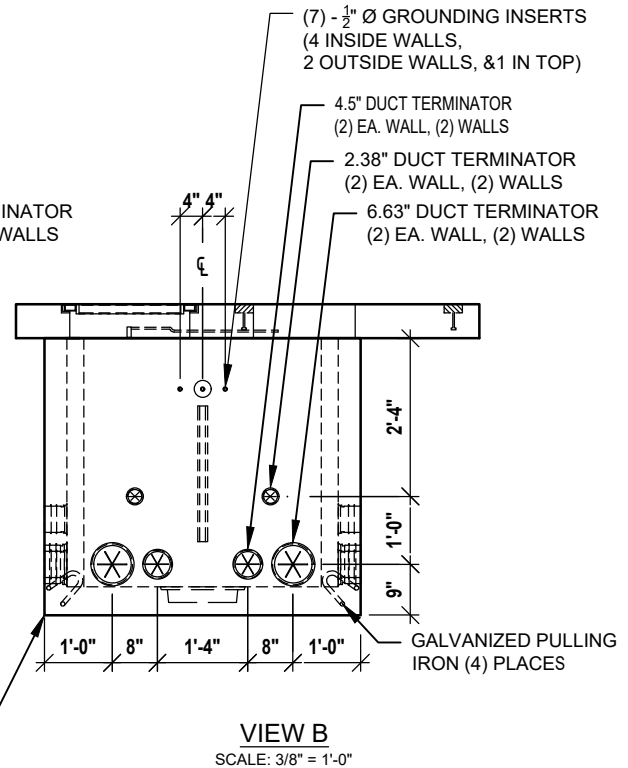
PACIFIC CORP 575 FUSE #7992604



PLAN VIEW
SCALE: 3/8" = 1'-0"



SECTION VIEW
SCALE: 3/8" = 1'-0"



VIEW B
SCALE: 3/8" = 1'-0"

NOTES:
1. WEIGHTS LISTED ARE APPROXIMATE.

| |
|----------------------|
| PCORP ZG551 05-08-12 |
| PCORP ZG621 06-13-13 |