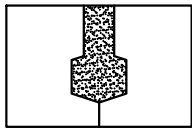
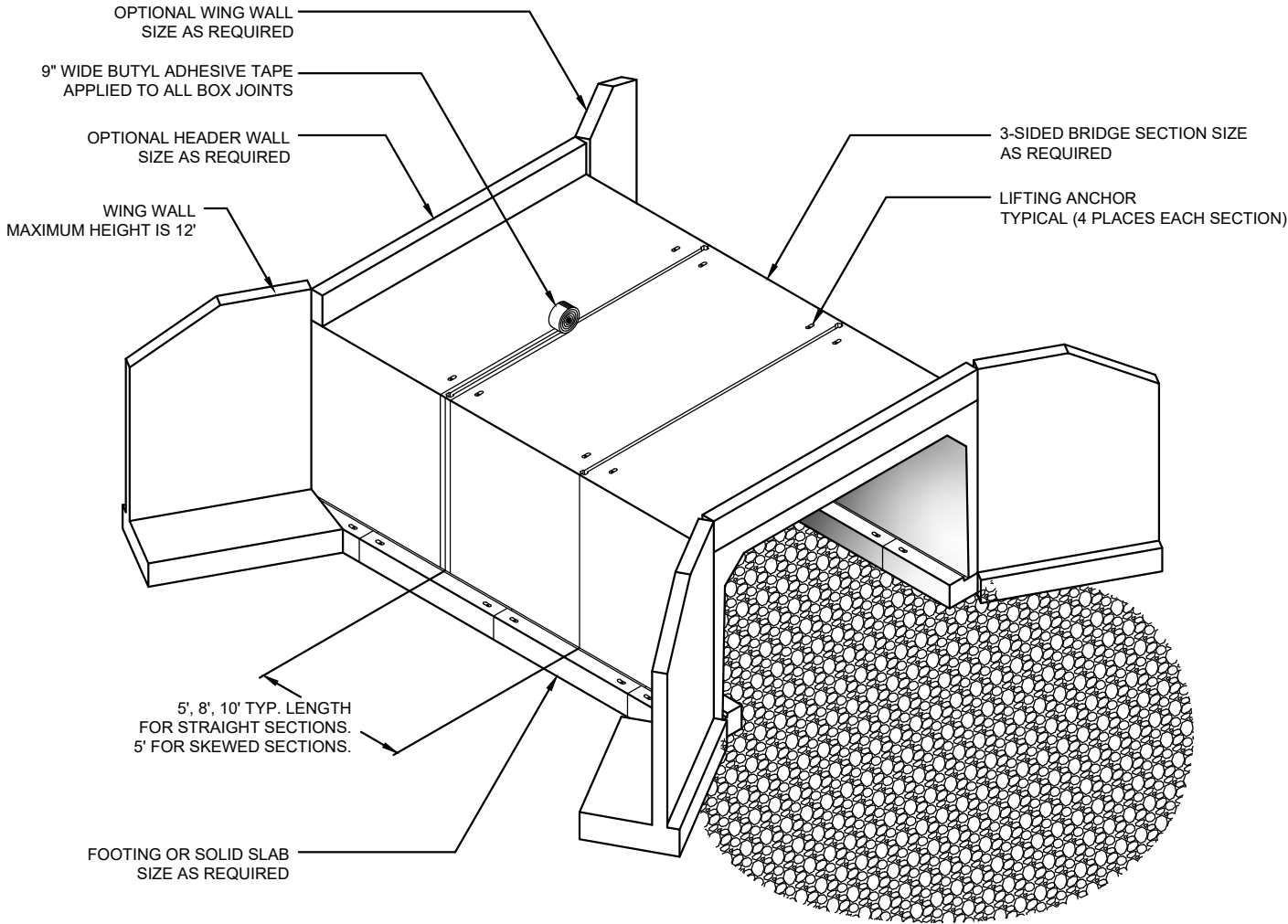
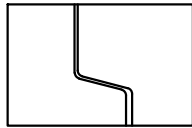


3-SIDED BRIDGE

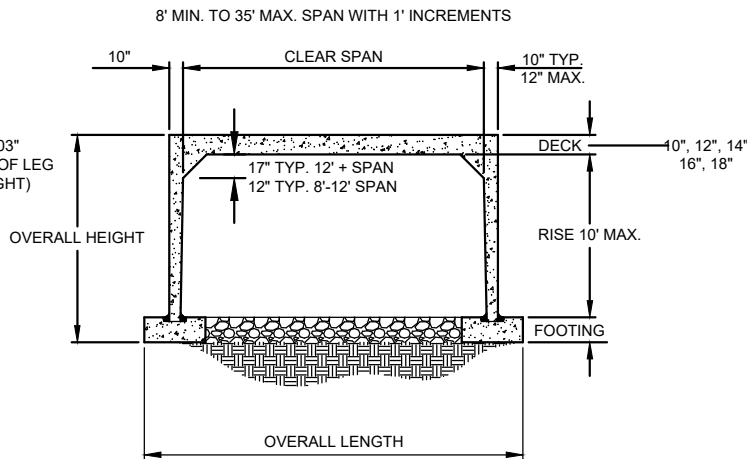


GROUT JOINT



SHIPLAP JOINT

NOTE:
TYPICAL, INSIDE LEG TAPERS 2" IN 103"
FROM BOTTOM OF HAUNCH TO BOTTOM OF LEG
(8" WIDE LEG AT BOTTOM FOR 10' HEIGHT)



NOTES:

1. FOOTING JOINTS TO BE STAGGERED IN RELATION TO BRIDGE JOINTS.
2. WHEN REQUIRED USE NON-SHRINK GROUT CONFORMING TO ASTM C1107.
3. EACH BRIDGE JOINT SHALL BE WRAPPED WITH 9" WIDE BUTYL ADHESIVE TAPE.