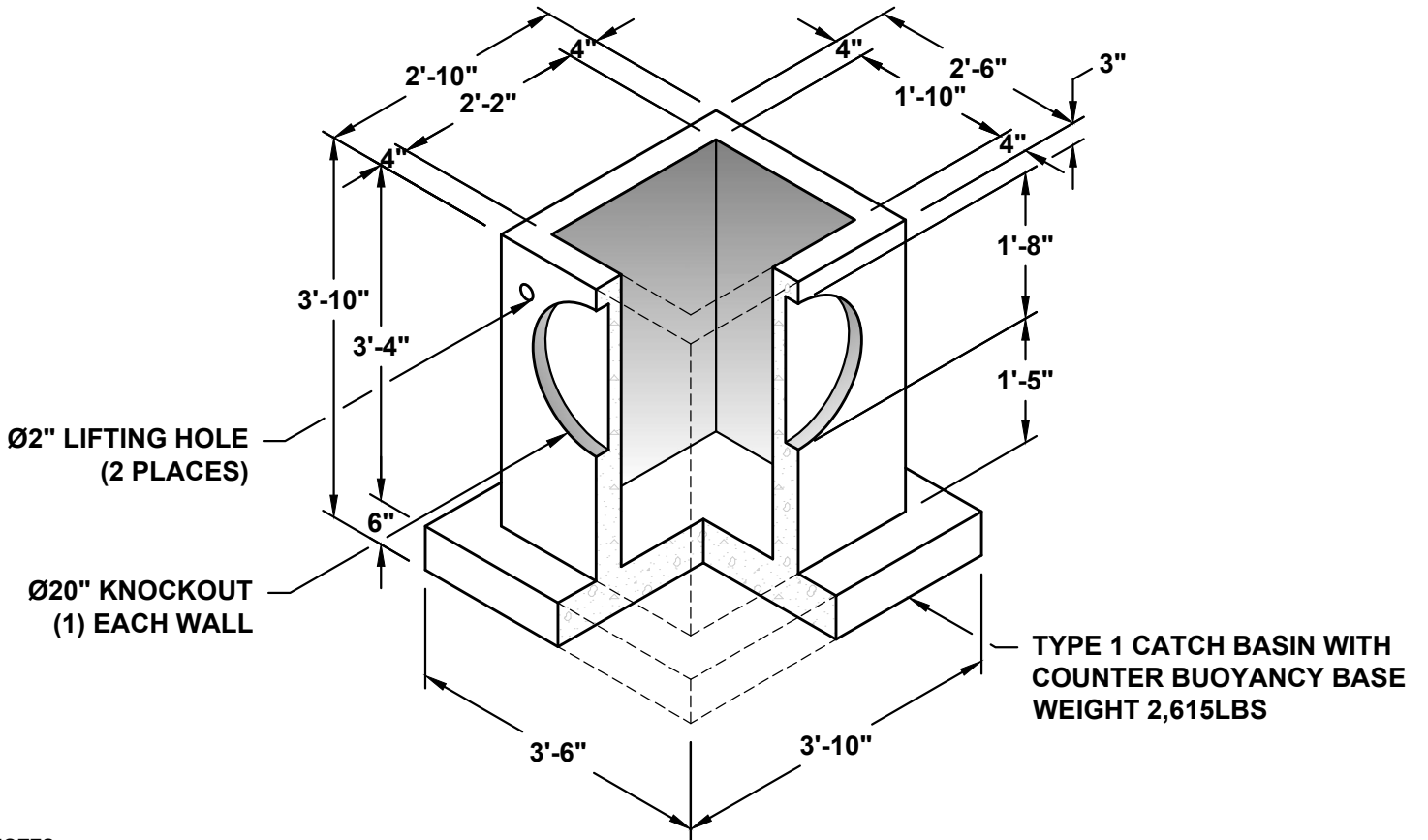
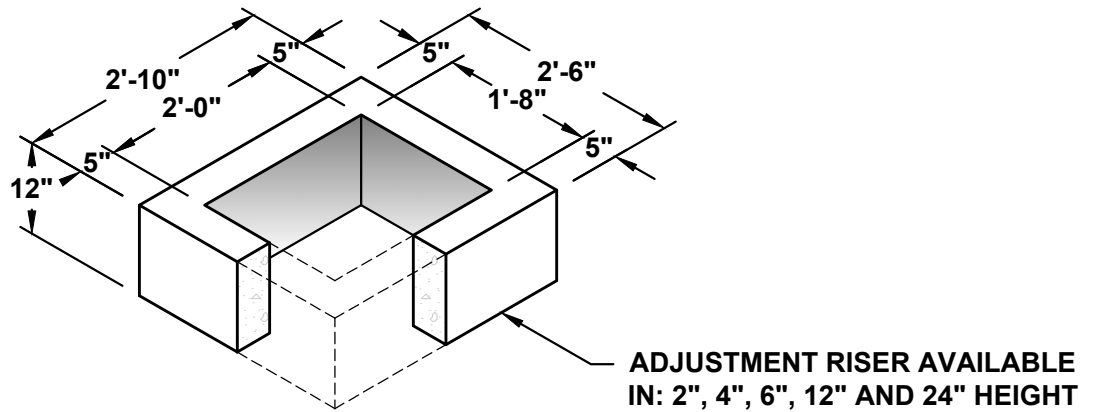
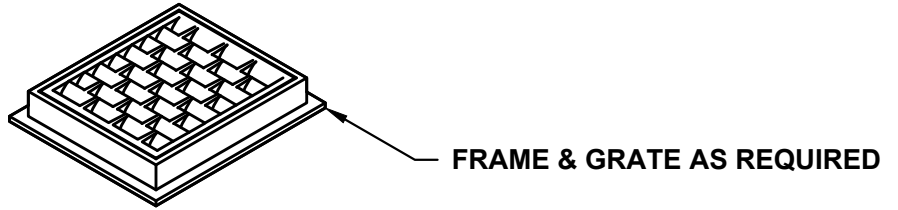


# Type 1 Catch Basin with Counter Buoyancy Base



- NOTES:**  
 1. MEETS OR EXCEEDS WSDOT STANDARD PLAN B-5.20-02.  
 2. ALL DIMENSIONS SUBJECT TO ALLOWABLE TOLERANCES.