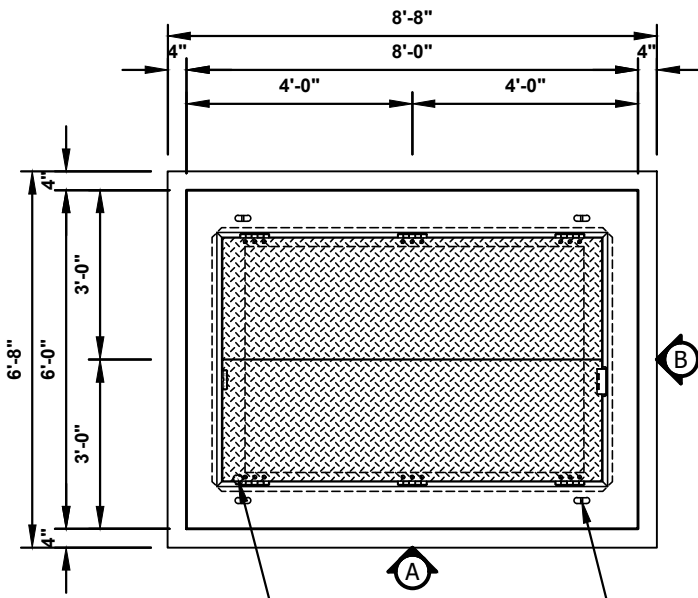


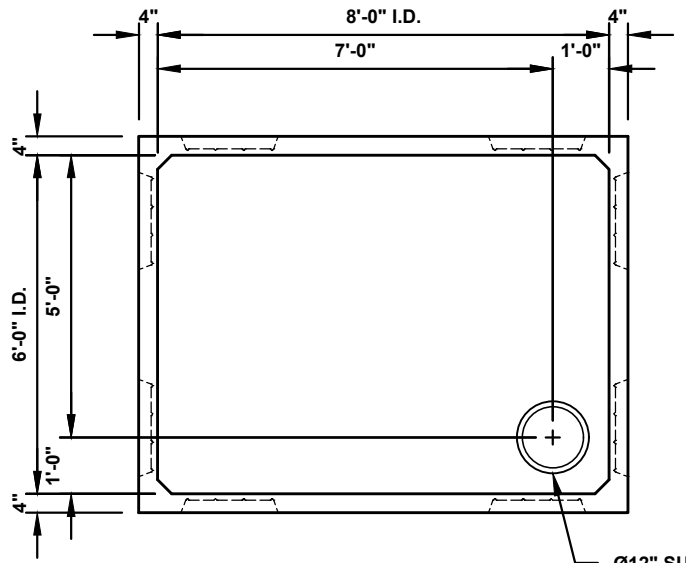
TVWD - 687 DCV/DCDV VAULT



PLAN VIEW - TOP

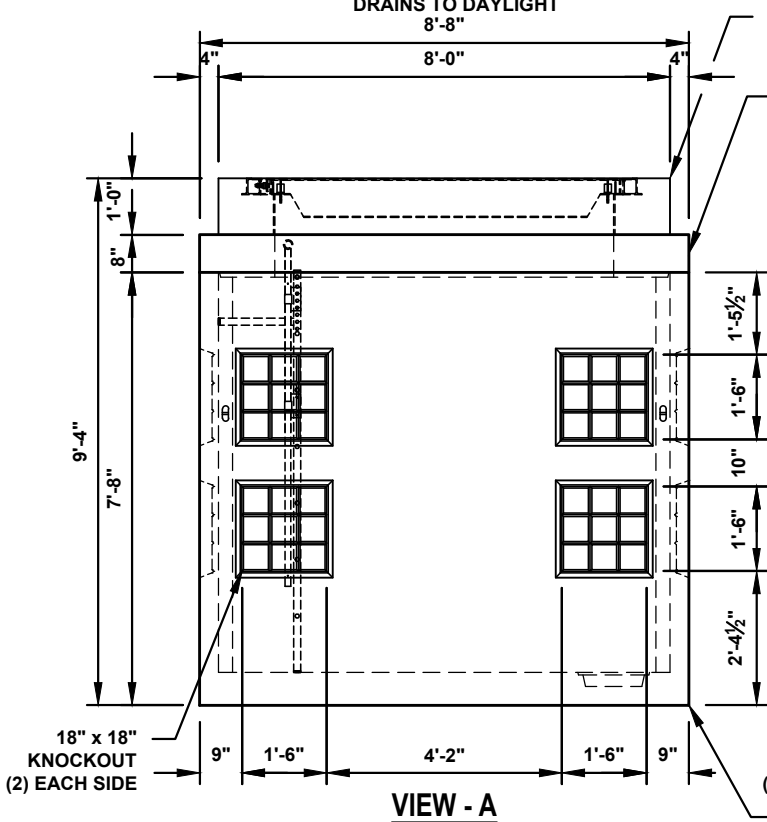
48" x 72" ALUMINUM HATCH
DRAINS TO DAYLIGHT

4 TON LIFT ANCHOR
(4) EACH, TOPS & BASE

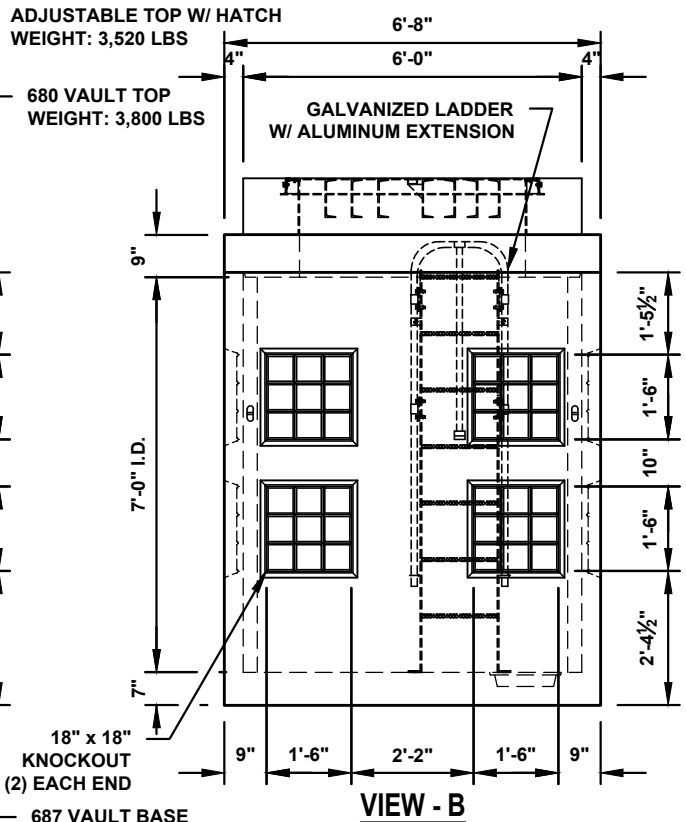


PLAN VIEW - BASE

Ø12" SUMP



VIEW - A



VIEW - B

NOTES:

1. INTERNAL PLUMBING/HARDWARE PROVIDED AND INSTALLED BY OTHERS.
2. REFER TO MANUFACTURERS DRAWING(S) FOR HATCH DETAILS.
3. CRYSTALSEAL COATING APPLIED TO EXTERIOR SURFACES.
4. WEIGHTS LISTED ARE APPROXIMATE.