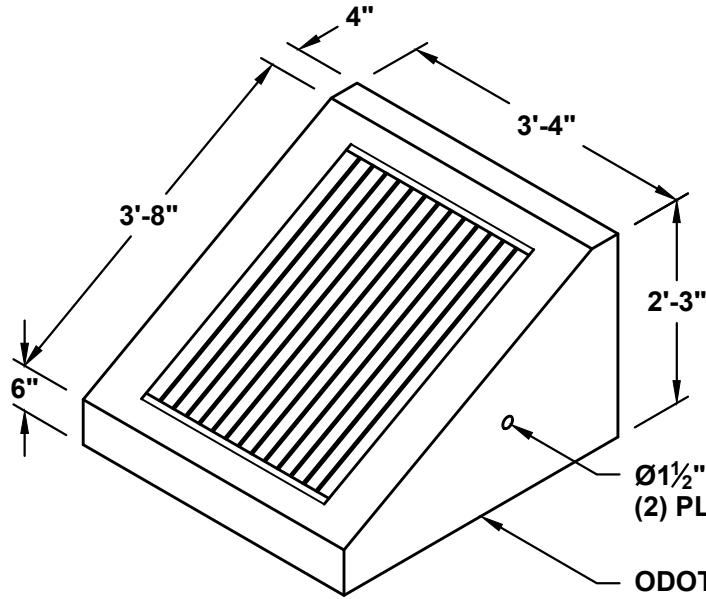
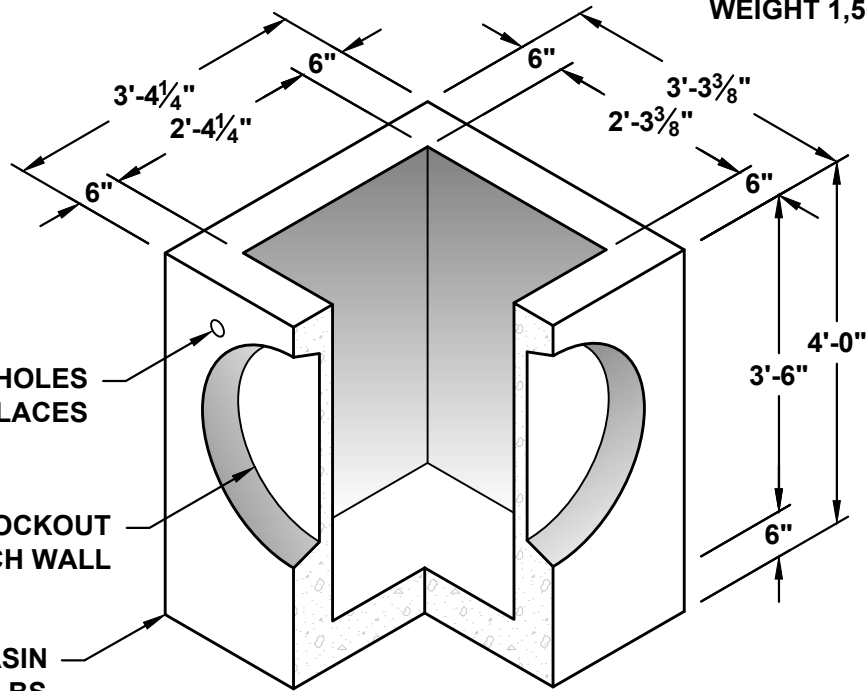


O.D.O.T. - G2 CATCH BASIN WITH DITCH INLET



Ø1½" LIFTING HOLES
(2) PLACES

ODOT TYPE D - DITCH INLET
PROVIDED WITH O.S.H.D.
TYPE 2 FRAME & GRATE
WEIGHT 1,500LBS



Ø2" LIFTING HOLES
TYPICAL (2) PLACES

Ø26" KNOCKOUT
(1) EACH WALL

ODOT G2 CATCH BASIN
WEIGHT 3,050LBS

NOTES:

1. MEETS OR EXCEEDS ODOT STANDARD DRAWING NO. RD370.
2. ALL DIMENSIONS SUBJECT TO ALLOWABLE TOLERANCES.