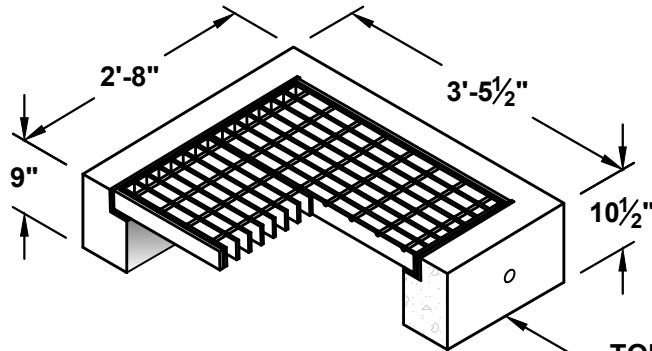
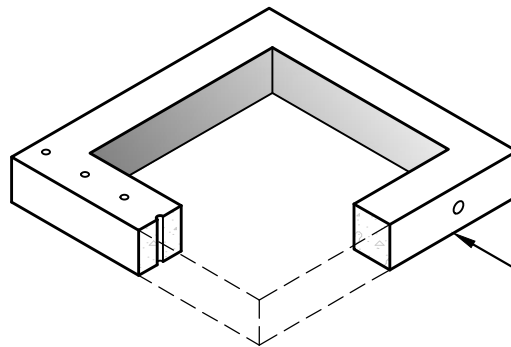


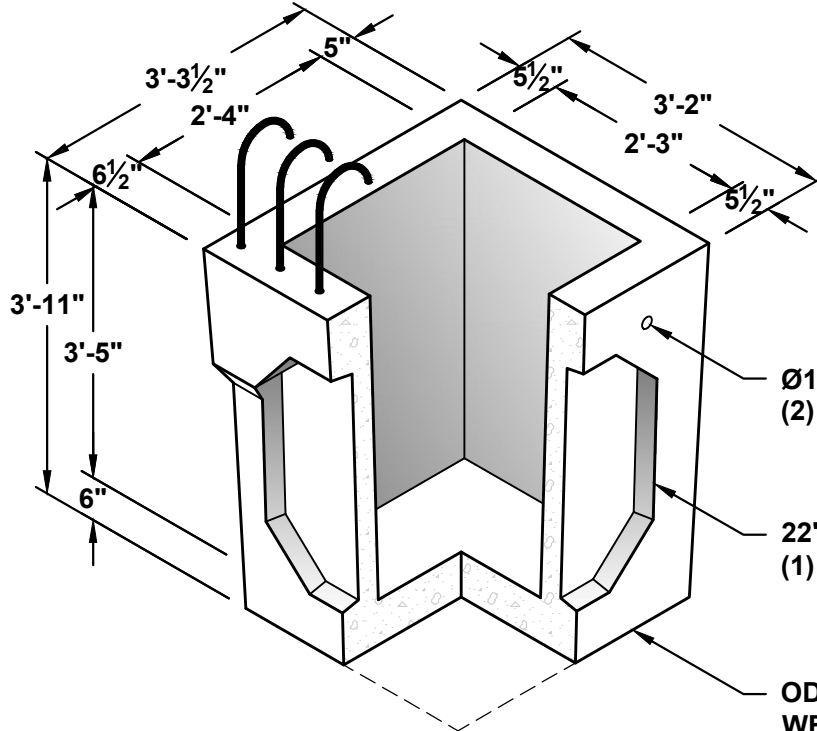
O.D.O.T. - TYPE CG2 CATCH BASIN



TOP UNIT PROVIDED WITH
O.S.H.D. TYPE 2 FRAME & GRATE
WEIGHT 550LBS



ADJUSTMENT RISER AVAILABLE
IN: 6" AND 12" HEIGHT



Ø1 1/2" LIFTING HOLE
(2) PLACES

22" x 30" KNOCKOUT
(1) EACH WALL

ODOT CG2 CATCH BASIN
WEIGHT 2,900LBS

NOTES:

1. MEETS OR EXCEEDS ODOT STANDARD DRAWING NO. RD366.
2. ALL DIMENSIONS SUBJECT TO ALLOWABLE TOLERANCES.