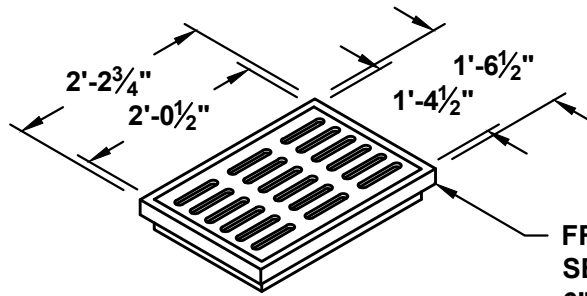
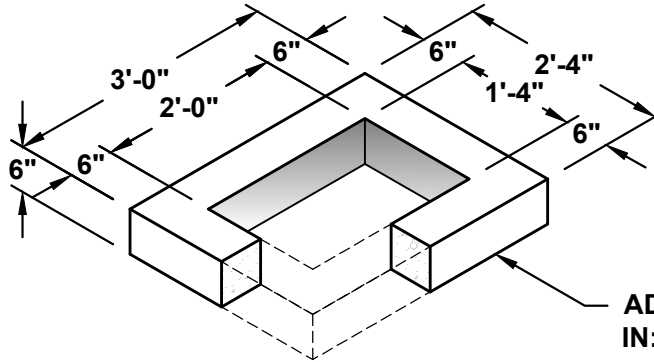


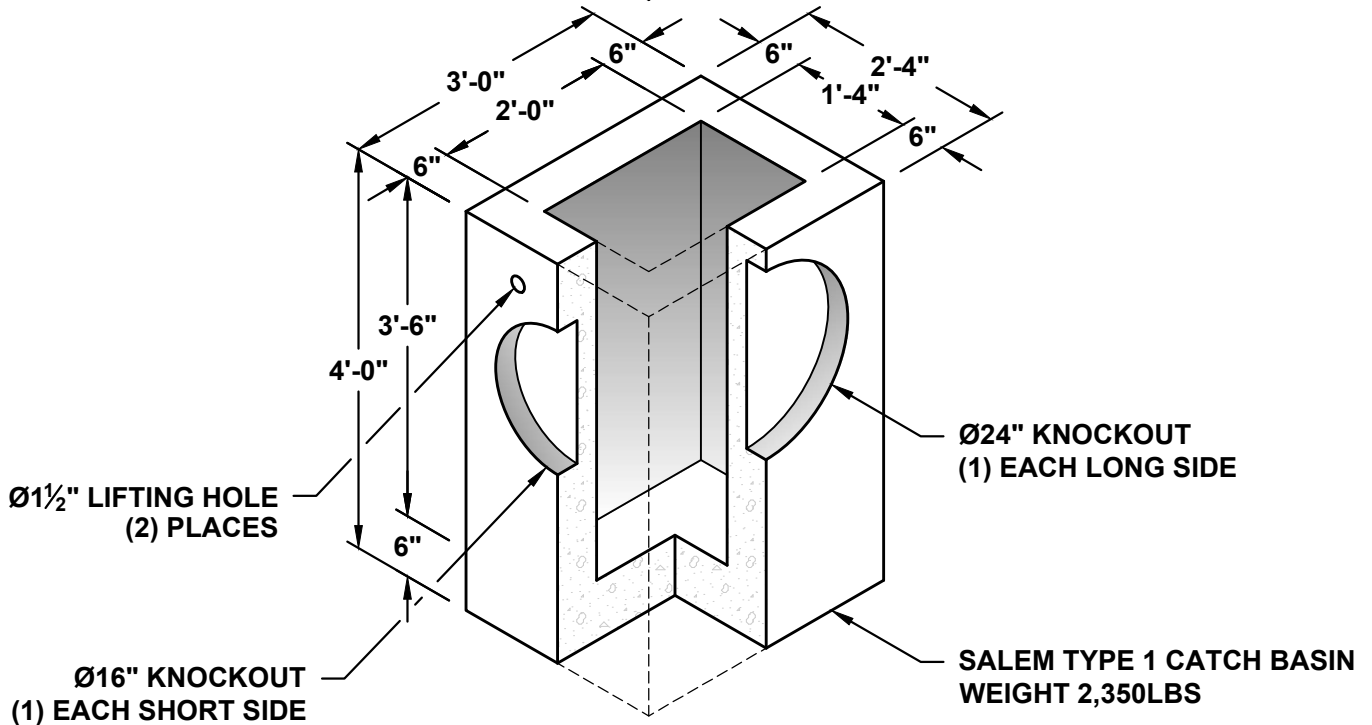
# CITY OF SALEM - TYPE 1 CATCH BASIN



FRAME & GRATE AVAILABLE SEPARATELY OR CAST INTO 6" RISER



ADJUSTMENT RISER AVAILABLE IN: 4", 6" AND 12" HEIGHTS



Ø1 1/2" LIFTING HOLE (2) PLACES

Ø24" KNOCKOUT (1) EACH LONG SIDE

Ø16" KNOCKOUT (1) EACH SHORT SIDE

SALEM TYPE 1 CATCH BASIN WEIGHT 2,350LBS

**NOTES:**  
 1. MEETS OR EXCEEDS CITY OF SALEM STANDARD DRAWING NO. 200.  
 2. ALL DIMENSIONS SUBJECT TO ALLOWABLE TOLERANCES.