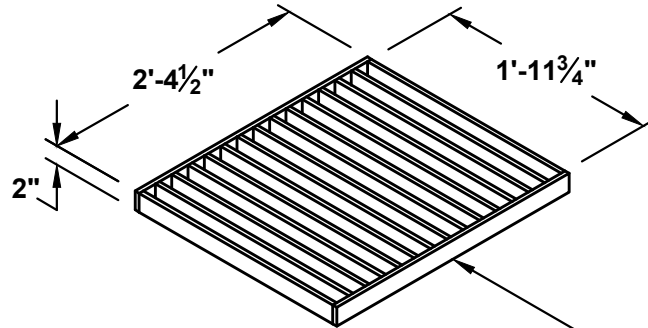
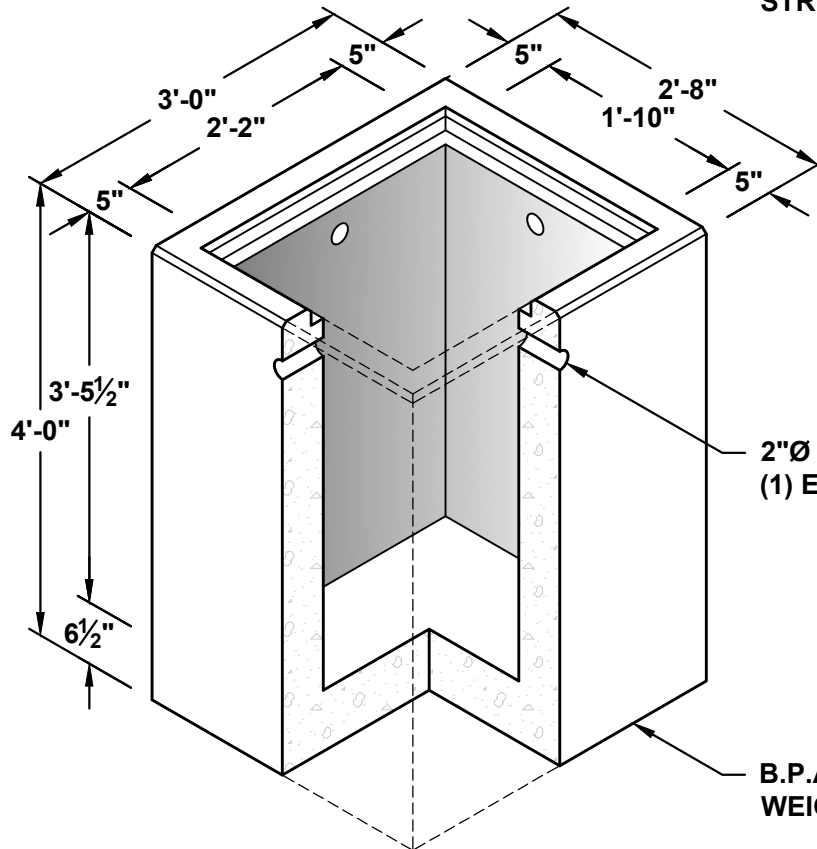


B.P.A. - CATCH BASIN



GRATE CONSTRUCTION
 $\frac{1}{2}$ " x 2" BARS @ 2" O.C.
 STRUCTURAL STEEL A-36



2"Ø WEEP HOLE
 (1) EACH WALL

B.P.A. CATCH BASIN
 WEIGHT 2,765LBS

NOTES:
 1. ALL DIMENSIONS SUBJECT TO ALLOWABLE TOLERANCES.