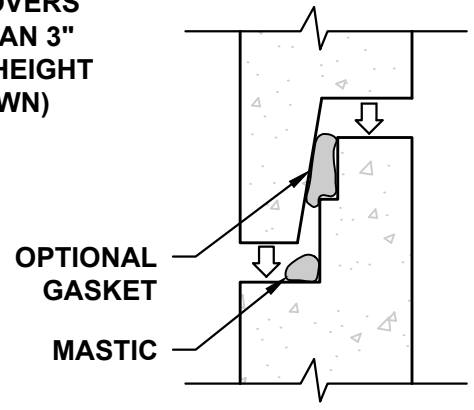
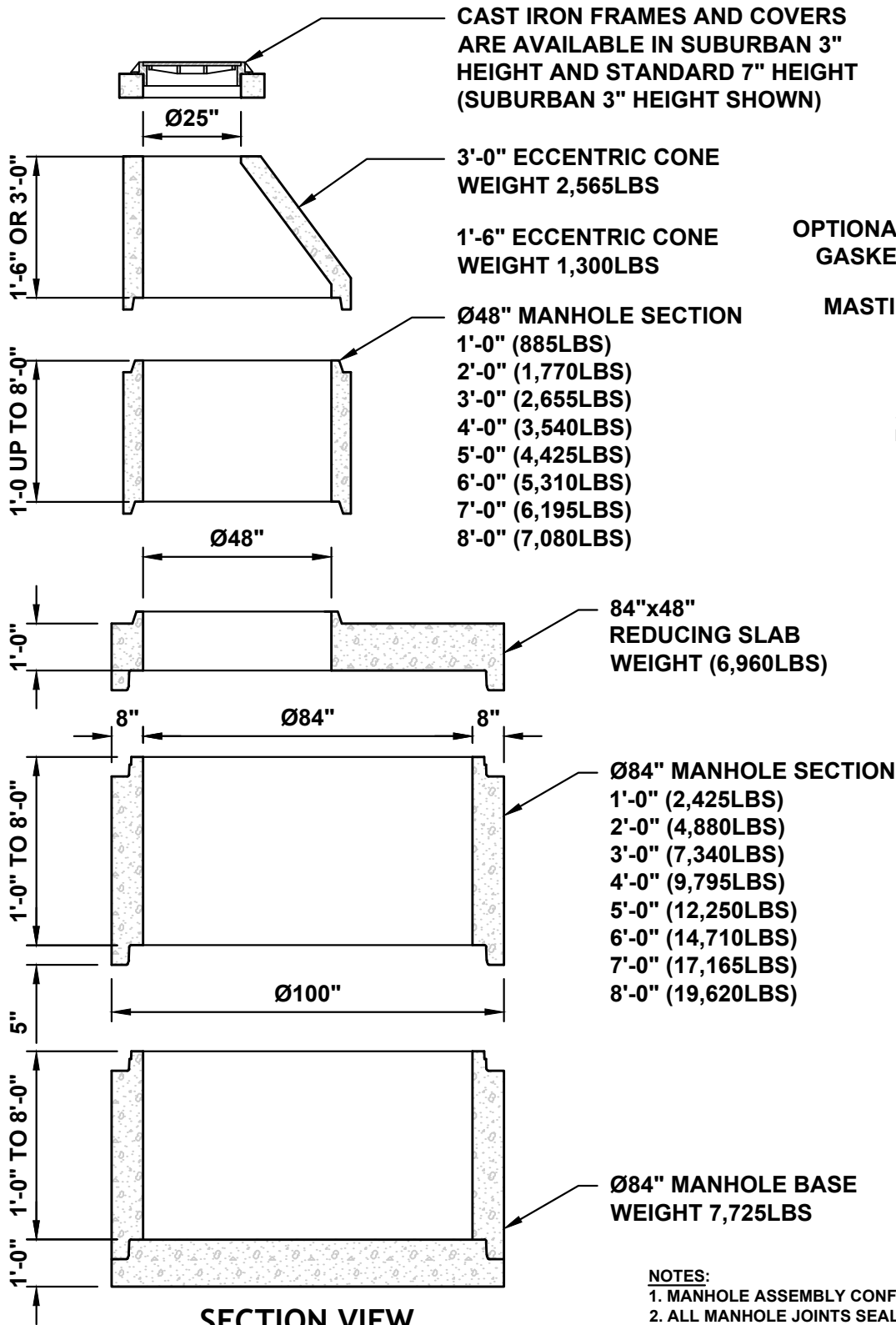


Ø84" MANHOLE - WITH REDUCING SLAB



JOINT DETAIL

STANDARD JOINT SEALANT IS MASTIC.
RUBBER GASKET IS OPTIONAL.

- NOTES:**
1. MANHOLE ASSEMBLY CONFORMS TO ASTM-C478.
 2. ALL MANHOLE JOINTS SEALED WITH MASTIC OR RUBBER GASKET.
 3. WEIGHTS LISTED ARE APPROXIMATE.
 4. GRADE RINGS AVAILABLE AS NEEDED.