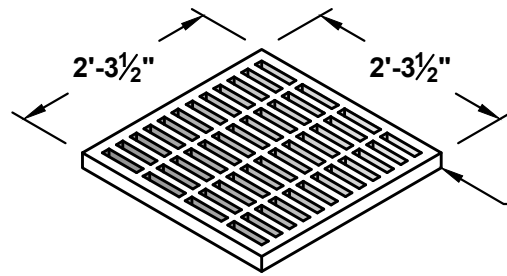
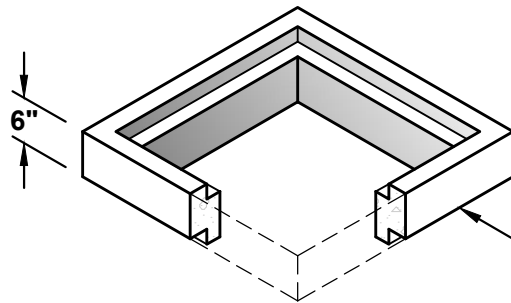


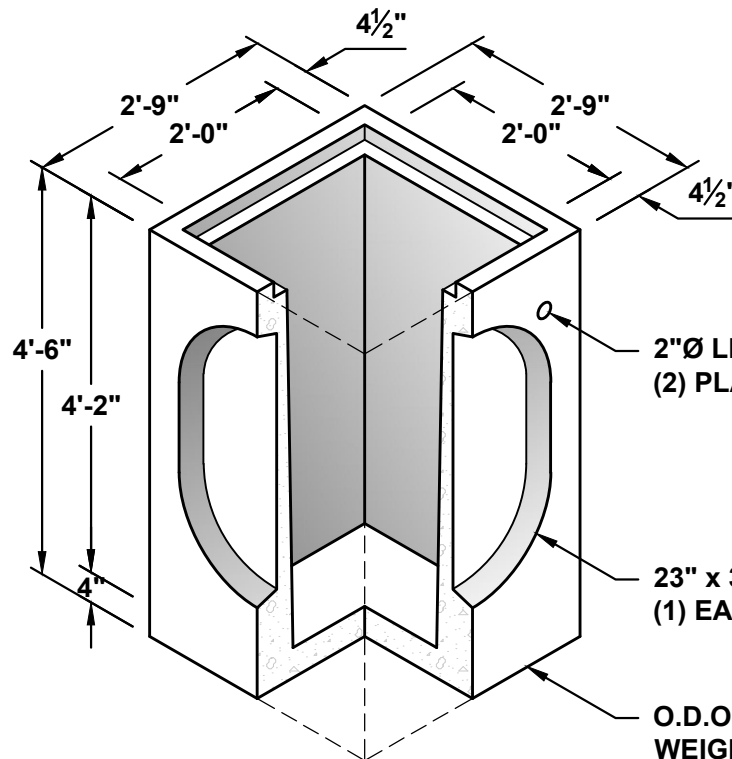
# O.D.O.T. - TYPE 3 CATCH BASIN



**TYPE 3 CATCH BASIN GRATE  
WEIGHT 100LBS**



**ADJUSTMENT RISER AVAILABLE  
IN: 4", 6" AND 12" HEIGHTS**



**2"Ø LIFTING HOLE  
(2) PLACES**

**23" x 34" KNOCKOUT  
(1) EACH WALL**

**O.D.O.T. TYPE 3 CATCH BASIN  
WEIGHT 2,600LBS**

**NOTES:**

1. MEETS OR EXCEEDS ODOT STANDARD DRAWING NO. RD378.
2. ALL DIMENSIONS SUBJECT TO ALLOWABLE TOLERANCES.