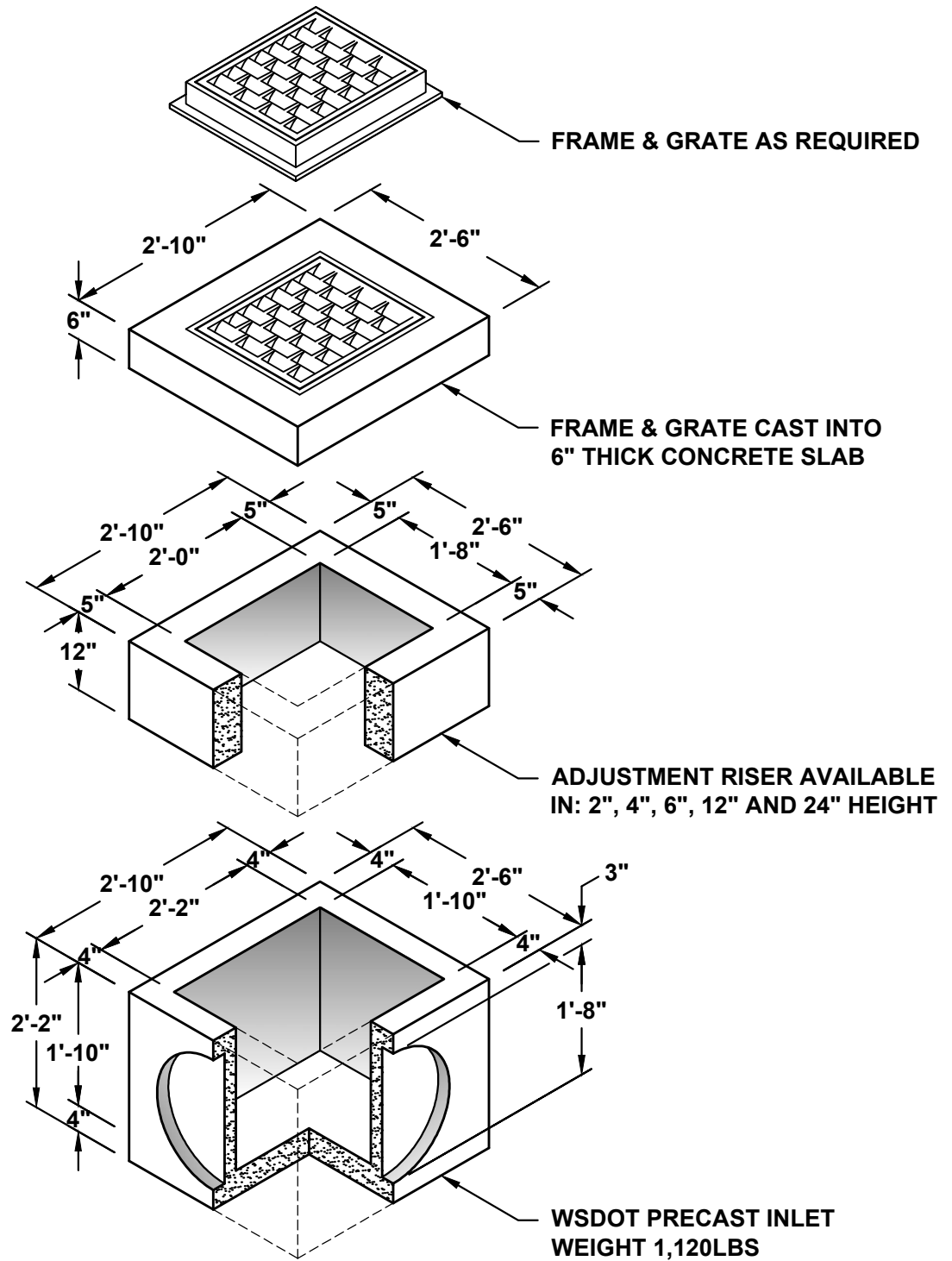


W.S.D.O.T. - PRECAST INLET



NOTES:

1. MEETS OR EXCEEDS WSDOT STANDARD PLAN B-5.20-01.
2. ALL DIMENSIONS SUBJECT TO ALLOWABLE TOLERANCES.