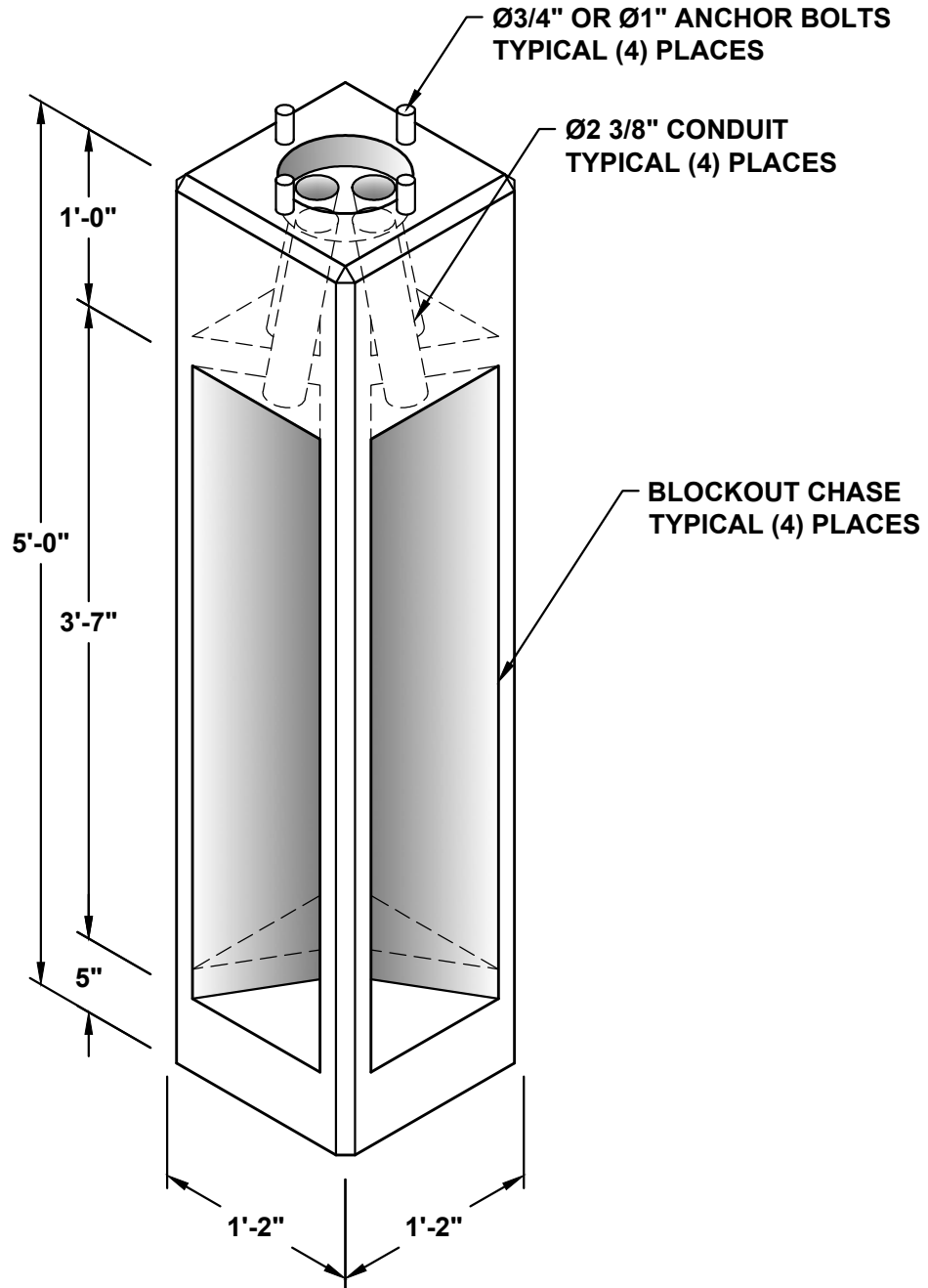


# 14" x 60" SQUARE LIGHT POLE BASE



**NOTES:**

1. APPROXIMATE WEIGHT: 650LBS
2. ALL DIMENSIONS SUBJECT TO ALLOWABLE TOLERANCES.

**CPP** Columbia  
PRECAST PRODUCTS

Phone: (360) 335-8400  
Fax: (360) 335-8402  
Email: [sales@columbiaprecastproducts.com](mailto:sales@columbiaprecastproducts.com)  
Web: [www.columbiaprecastproducts.com](http://www.columbiaprecastproducts.com)