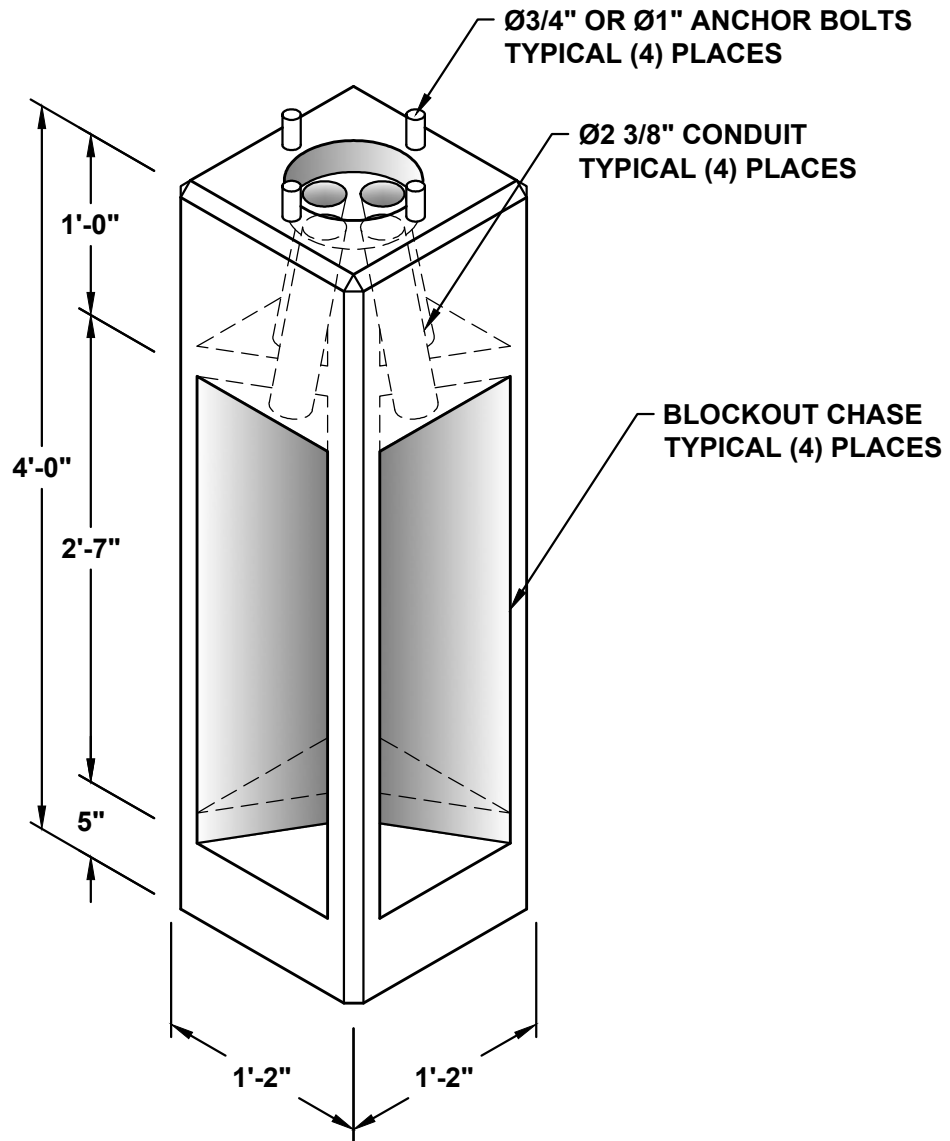


14" x 48" SQUARE LIGHT POLE BASE



NOTES:

1. APPROXIMATE WEIGHT: 550LBS
2. ALL DIMENSIONS SUBJECT TO ALLOWABLE TOLERANCES.

CPP Columbia
PRECAST PRODUCTS

Phone: (360) 335-8400
Fax: (360) 335-8402
Email: sales@columbiaprecastproducts.com
Web: www.columbiaprecastproducts.com