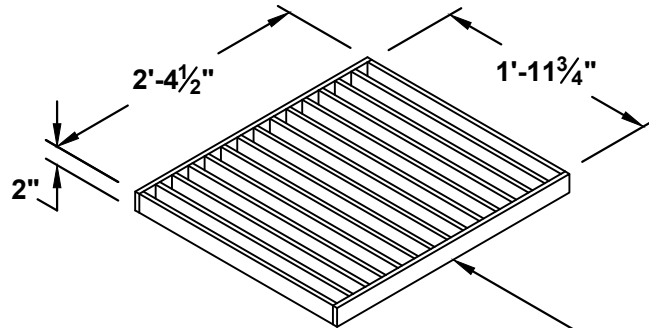
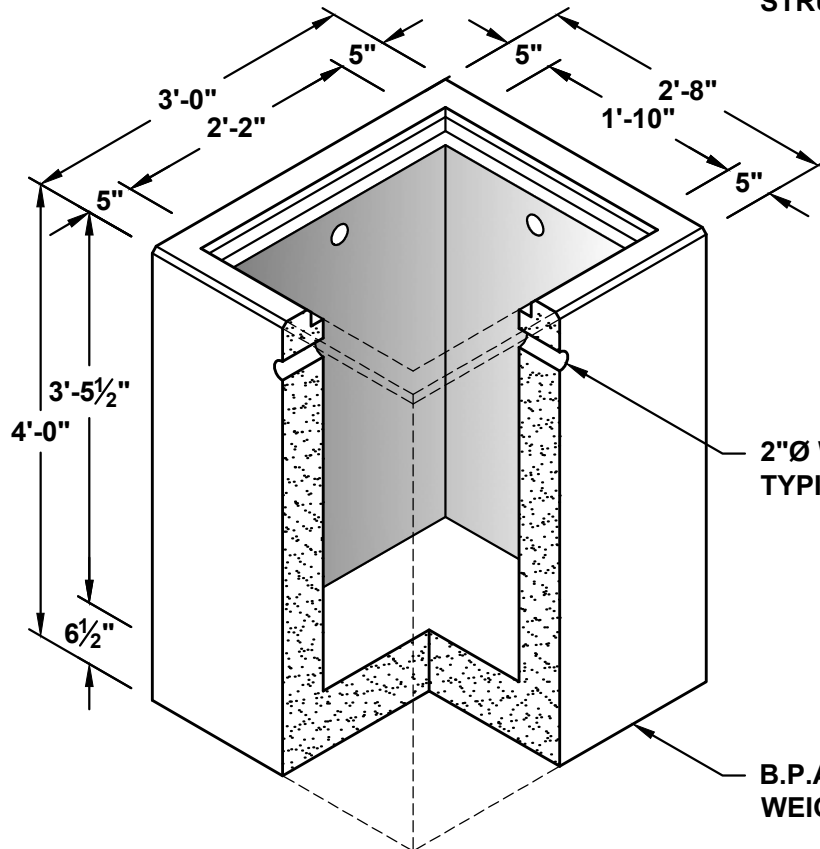


B.P.A. - CATCH BASIN



GRATE CONSTRUCTION
 $\frac{1}{2}$ " x 2" BARS @ 2" O.C.
STRUCTURAL STEEL A-36



2"Ø WEEP HOLE
TYPICAL (1) EACH WALL

B.P.A. CATCH BASIN
WEIGHT 2,765LBS

NOTES:
1. ALL DIMENSIONS SUBJECT TO ALLOWABLE TOLERANCES.

CPP Columbia
PRECAST PRODUCTS

Phone: (360) 335-8400
Fax: (360) 335-8402
Email: sales@columbiaprecastproducts.com
Web: www.columbiaprecastproducts.com