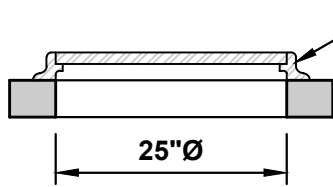
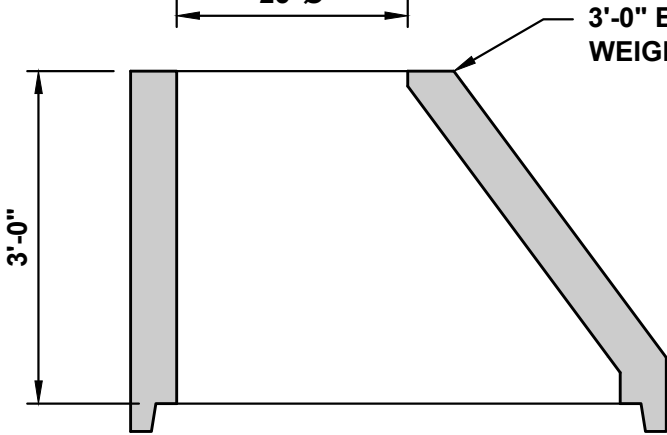


# 48"Ø MANHOLE - WITH ECCENTRIC CONE



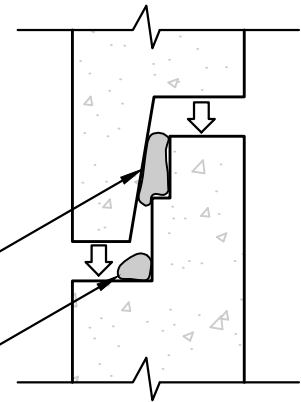
CAST IRON FRAMES AND COVERS ARE AVAILABLE IN SUBURBAN 3" HEIGHT AND STANDARD 7" HEIGHT (SUBURBAN 3" HEIGHT SHOWN)



3'-0" ECCENTRIC CONE  
WEIGHT 2,565LBS

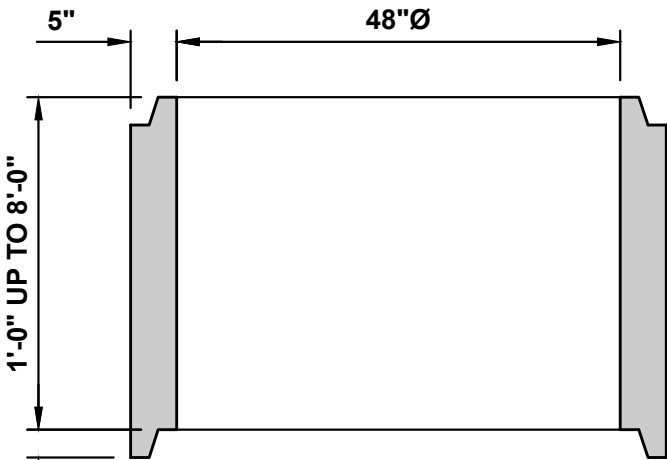
OPTIONAL GASKET

MASTIC



## JOINT DETAIL

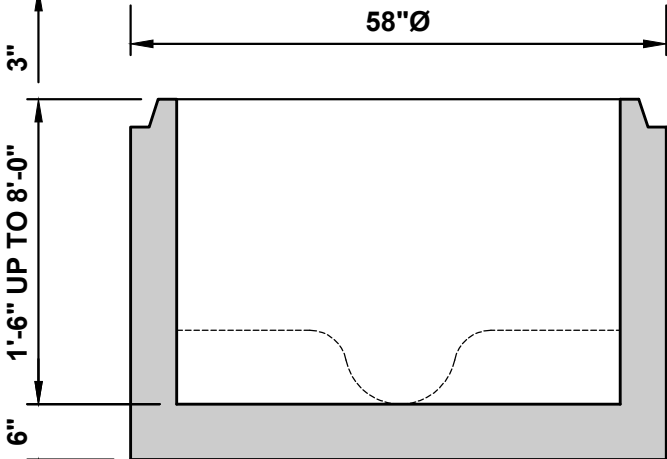
STANDARD JOINT SEALANT IS MASTIC.  
RUBBER GASKET IS OPTIONAL.



GRADE RINGS AVAILABLE IN  
2", 3", 4" AND 6" HEIGHTS

### 48"Ø MANHOLE SECTION

- 1'-0" (885LBS)
- 2'-0" (1,770LBS)
- 3'-0" (2,655LBS)
- 4'-0" (3,540LBS)
- 5'-0" (4,425LBS)
- 6'-0" (5,310LBS)
- 7'-0" (6,195LBS)
- 8'-0" (7,080LBS)



### 48"Ø MANHOLE MONO BASE (PRECHANNEL OPTIONAL)

- 1'-6" (2,765LBS)
- 2'-0" (3,205LBS)
- 3'-0" (4,090LBS)
- 4'-0" (4,935LBS)
- 5'-0" (5,710LBS)
- 6'-0" (6,595LBS)
- 7'-0" (7,480LBS)
- 8'-0" (8,365LBS)

## SECTION VIEW

### NOTES:

1. MANHOLE ASSEMBLY CONFORMS TO ASTM-C478.
2. ALL MANHOLE JOINTS SEALED WITH MASTIC OR RUBBER GASKET.
3. REINFORCING AS PER WSDOT STANDARD PLANS.