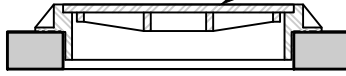
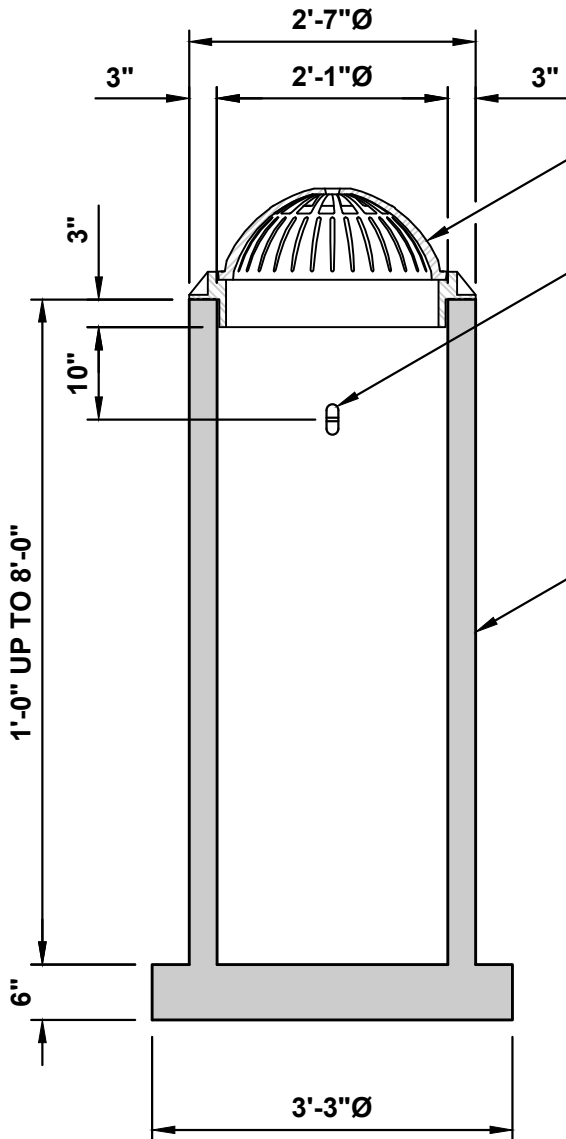


# 24"Ø MANHOLE - WITH MONO BASE

CAST IRON FRAMES AND COVERS ARE AVAILABLE IN SUBURBAN 3" HEIGHT AND STANDARD 7" HEIGHT (SUBURBAN 3" HEIGHT SHOWN)



GRADE RINGS AVAILABLE IN 2", 3", 4" AND 6" HEIGHTS



OPTIONAL "BEEHIVE" GRATE WITH LOCKING CABLE TIE-DOWN AVAILABLE

ANCHOR EMBEDMENT PROVIDED TO SECURE GRATE WITH CABLE TIE-DOWN (CONTRACTOR TO PROVIDE AND INSTALL CABLE)

24"Ø MANHOLE MONO BASE (HOLES CORED TO ORDER)

- 1'-0" (915LBS)
- 2'-0" (1,195LBS)
- 3'-0" (1,475LBS)
- 4'-0" (1,760LBS)
- 5'-0" (2,040LBS)
- 6'-0" (2,320LBS)
- 7'-0" (2,600LBS)
- 8'-0" (2,880LBS)

**SECTION VIEW**

**NOTES:**

1. MANHOLE ASSEMBLY CONFORMS TO ASTM-C478.
2. HOLES CORED TO ORDER.