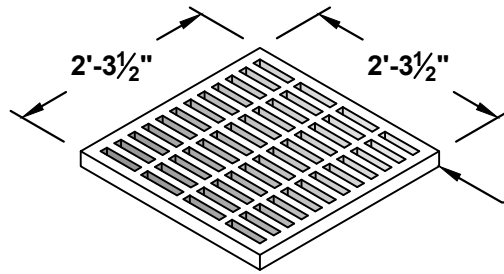
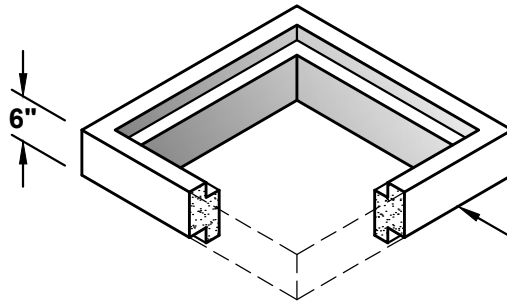


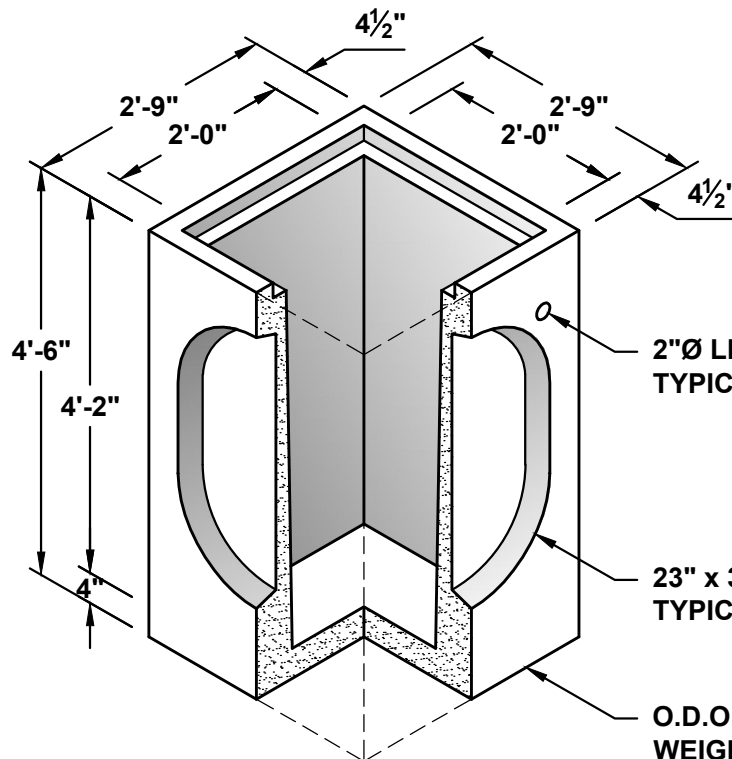
O.D.O.T. - TYPE 3 CATCH BASIN



TYPE 3 CATCH BASIN GRATE
WEIGHT 100LBS



ADJUSTMENT RISER AVAILABLE
IN: 4", 6" AND 12" HEIGHTS



2"Ø LIFTING HOLE
TYPICAL (2) PLACES

23" x 34" KNOCKOUT
TYPICAL (1) EACH WALL

O.D.O.T. TYPE 3 CATCH BASIN
WEIGHT 2,600LBS

NOTES:

1. MEETS OR EXCEEDS ODOT STANDARD DRAWING NO. RD378.
2. ALL DIMENSIONS SUBJECT TO ALLOWABLE TOLERANCES.