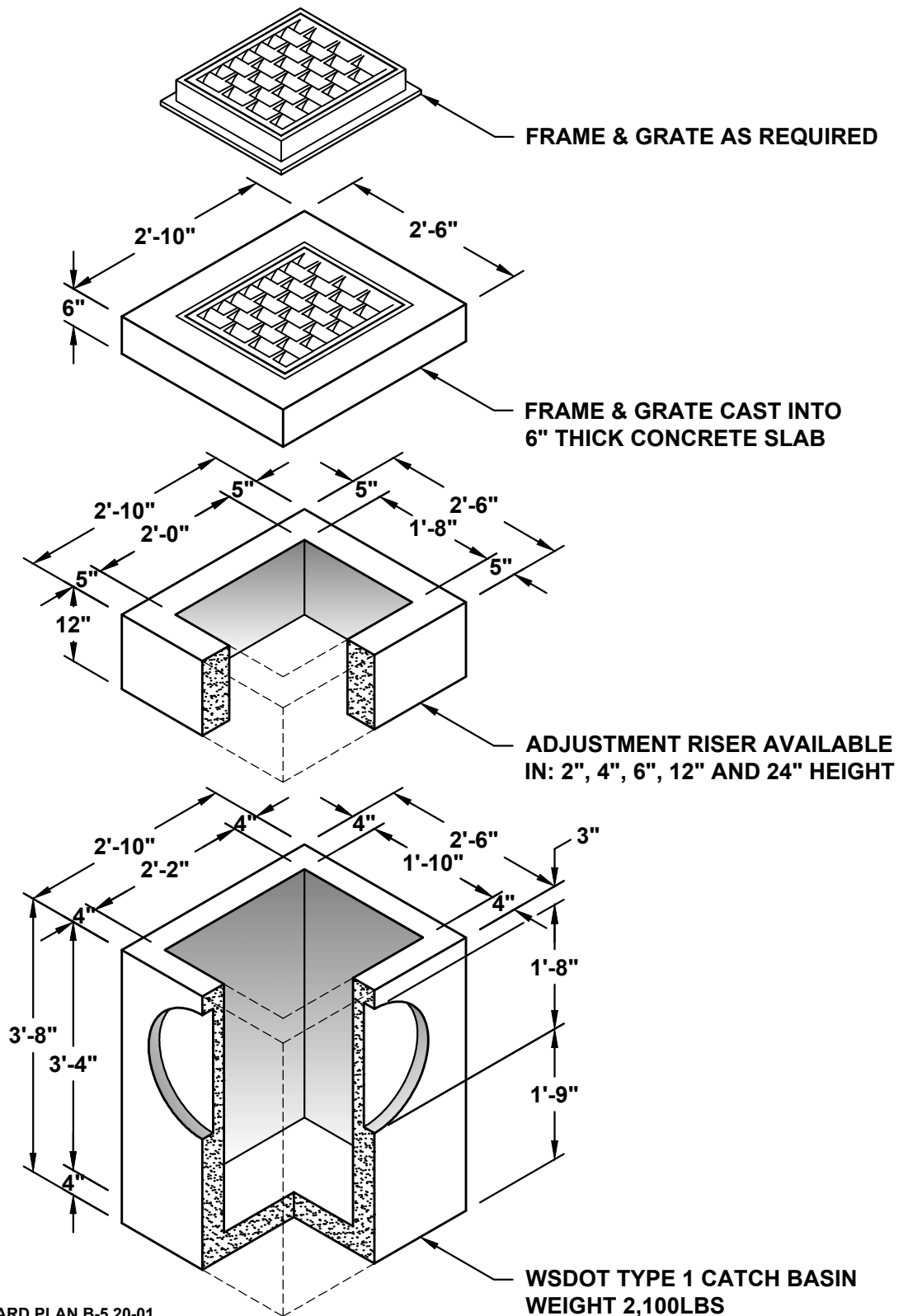


W.S.D.O.T. - TYPE 1 CATCH BASIN



NOTES:
 1. MEETS OR EXCEEDS WSDOT STANDARD PLAN B-5.20-01.
 2. ALL DIMENSIONS SUBJECT TO ALLOWABLE TOLERANCES.