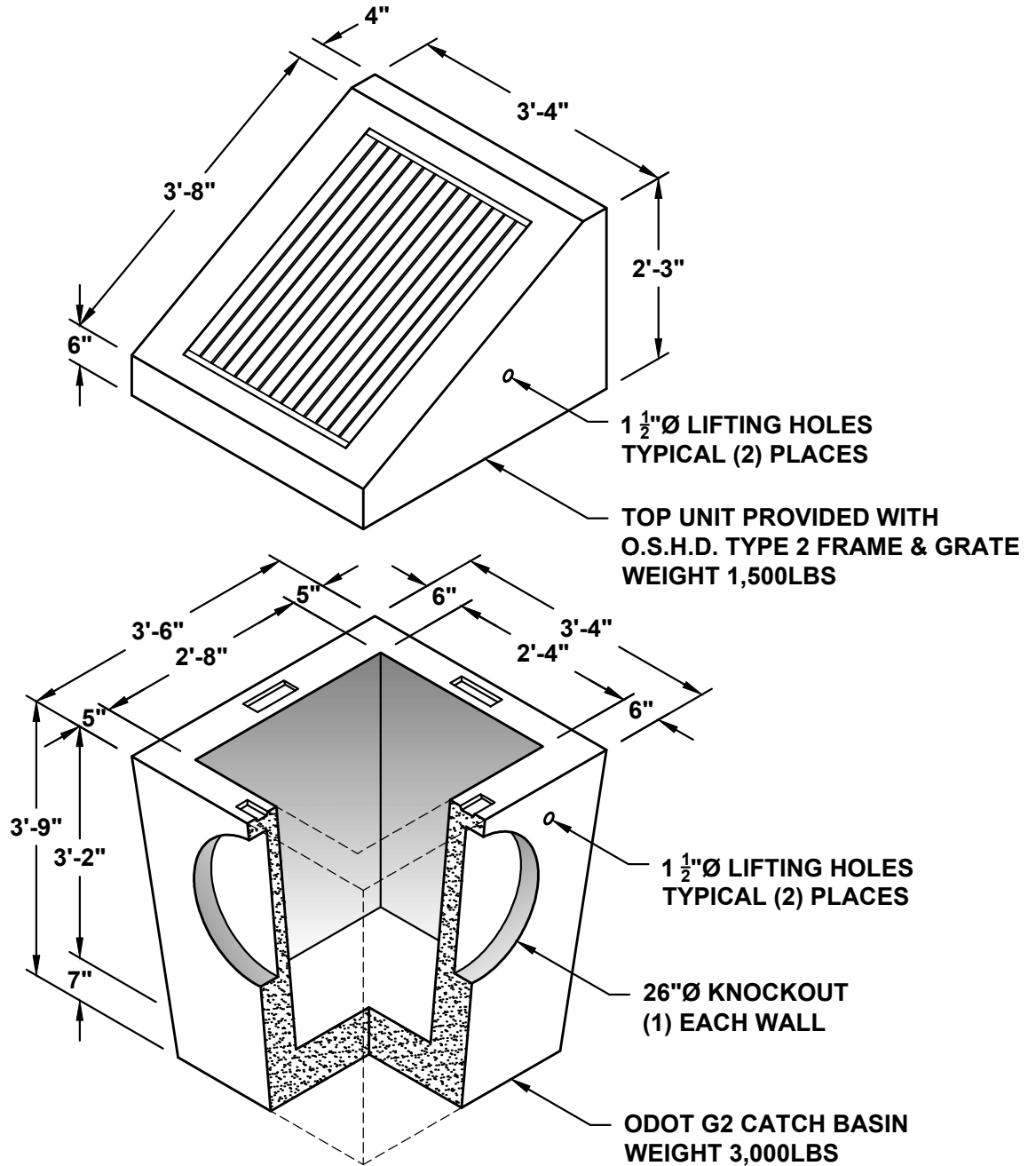


O.D.O.T. - G2 CATCH BASIN WITH DITCH INLET



NOTES:

1. MEETS OR EXCEEDS ODOT STANDARD DRAWING NO. RD370.
2. ALL DIMENSIONS SUBJECT TO ALLOWABLE TOLERANCES.