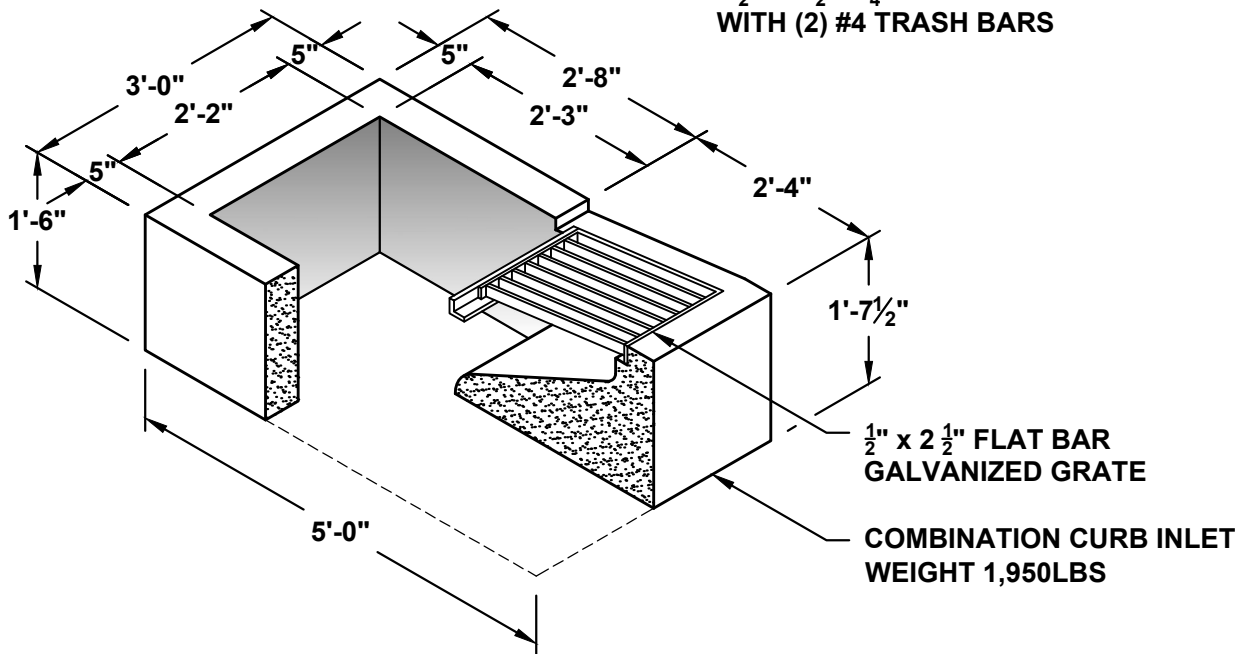
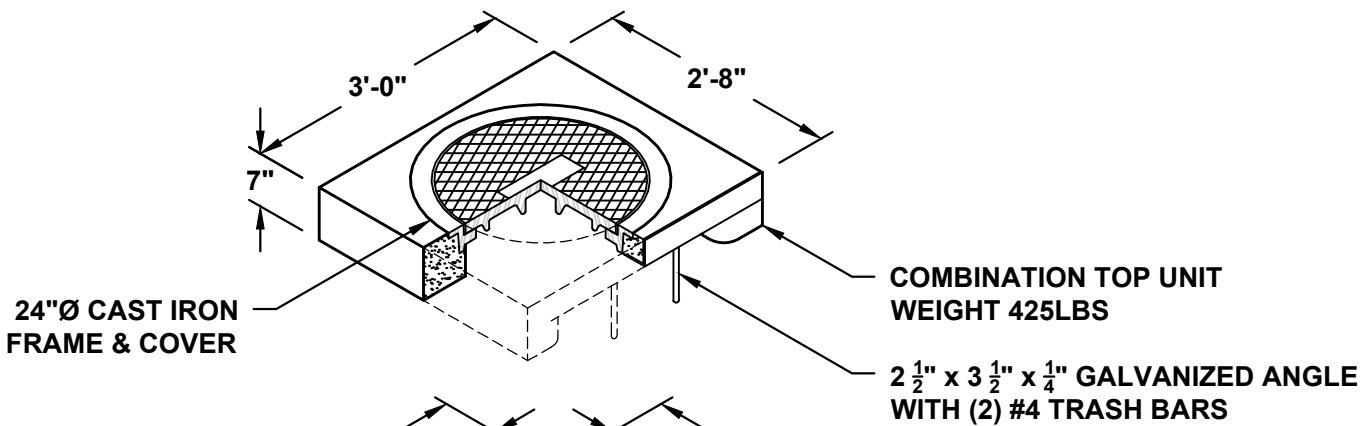
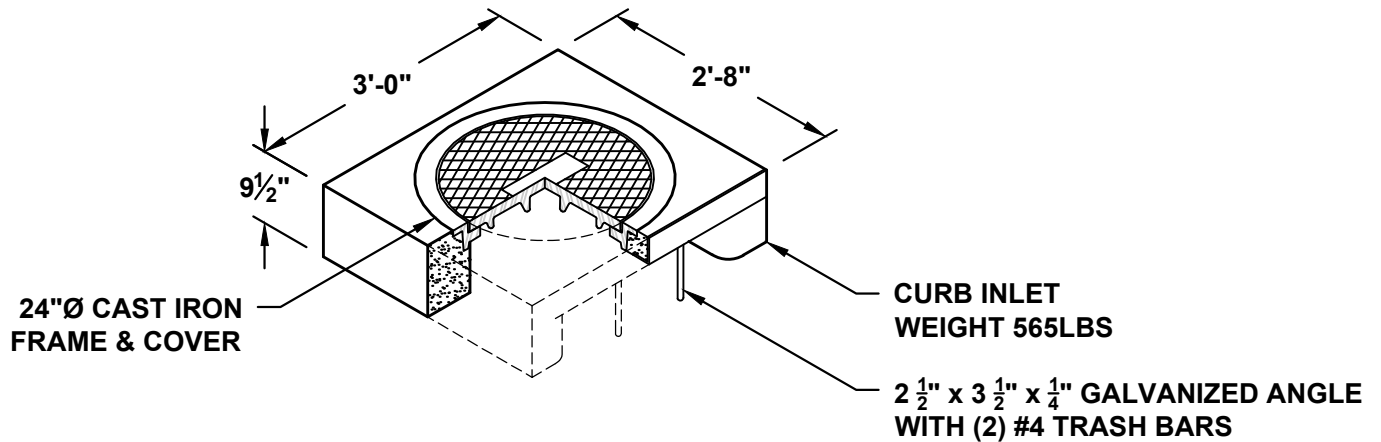


TYPE 1 CATCH BASIN - OPTIONAL CURB INLETS



NOTES:

1. MEETS OR EXCEEDS CLARK COUNTY STANDARD DETAIL D3.0.
2. ALL DIMENSIONS SUBJECT TO ALLOWABLE TOLERANCES.