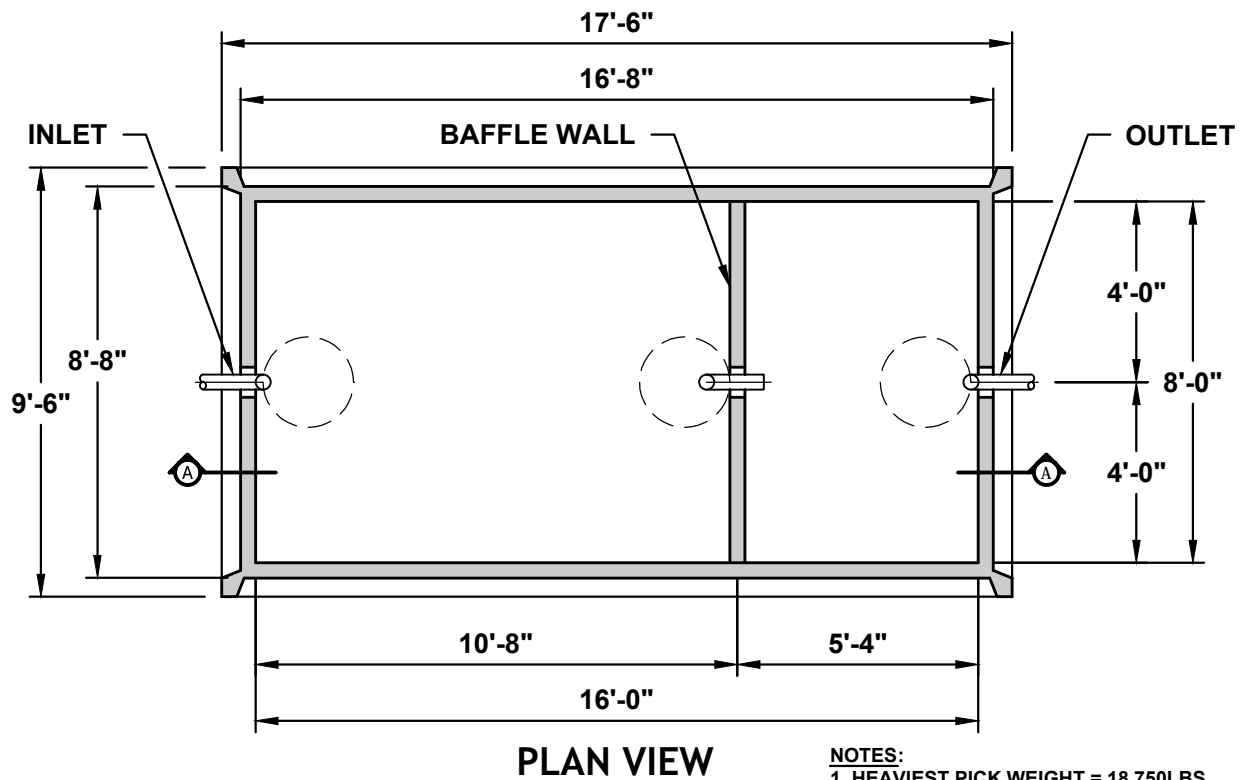
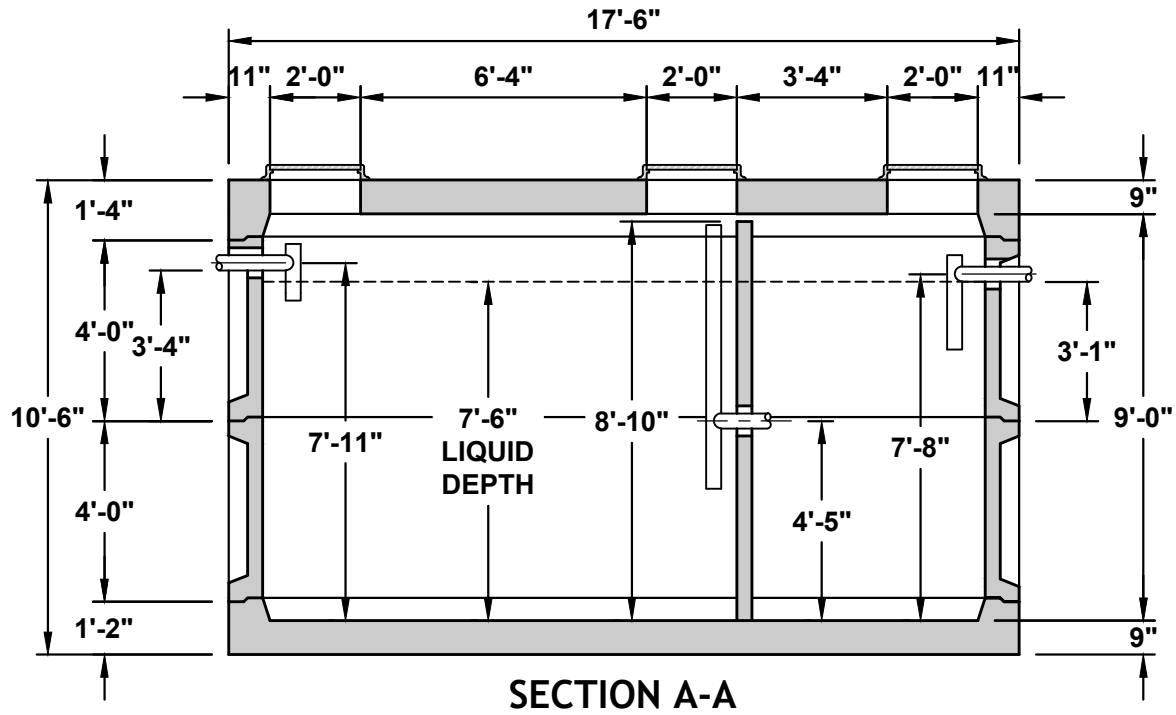


# 7000 GALLON GREASE INTERCEPTOR (816)



**NOTES:**

1. HEAVIEST PICK WEIGHT = 18,750LBS.
2. VAULT MEETS OR EXCEEDS ASTM-C857 & H20-44.
3. CONTRACTOR TO GROUT PVC PIPE PENETRATIONS.
4. CONTRACTOR TO GROUT IN BAFFLE WALL.
5. CONTRACTOR TO SUPPLY & INSTALL PIPE IN FIELD.