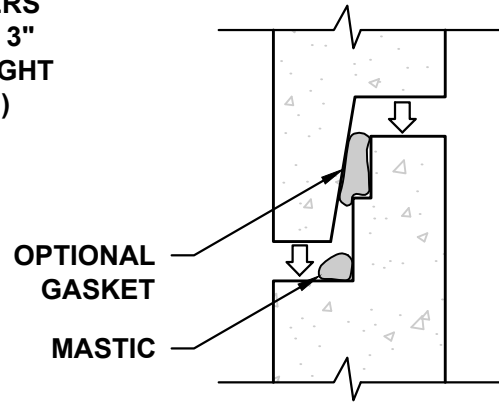
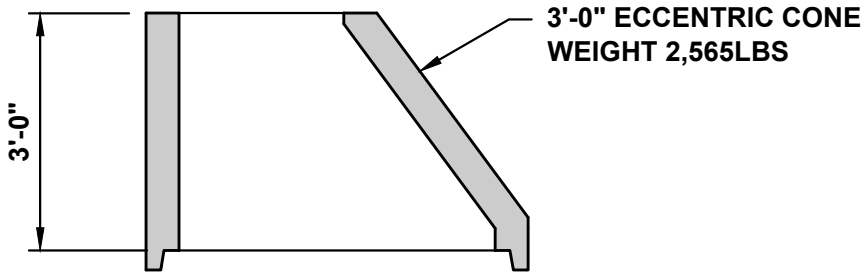
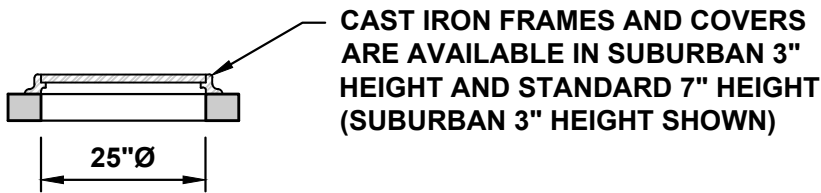
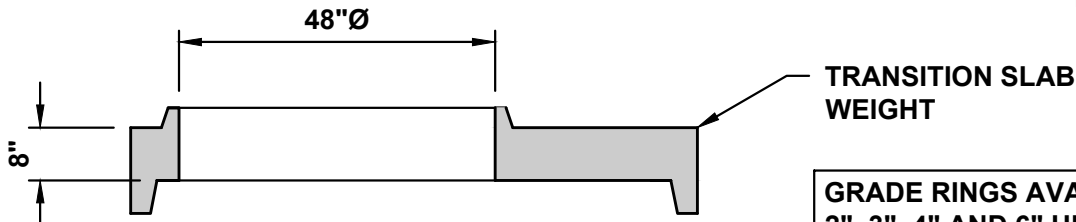


72"Ø MANHOLE - WITH ECCENTRIC CONE

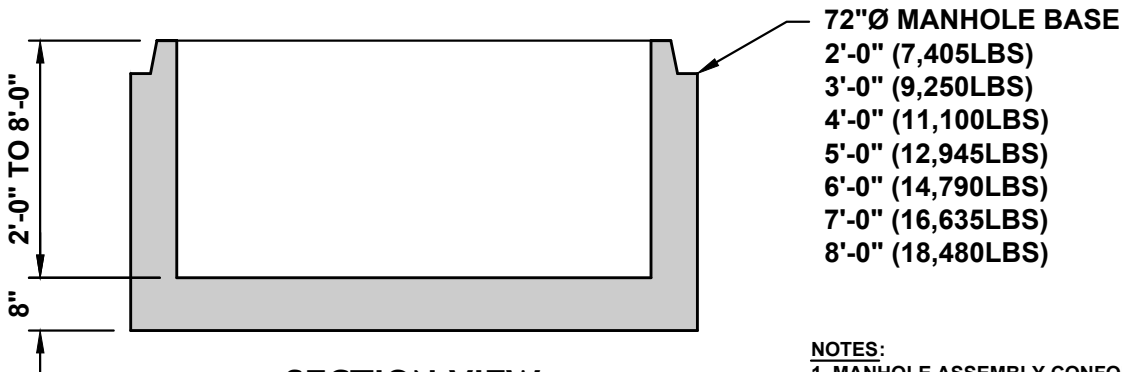
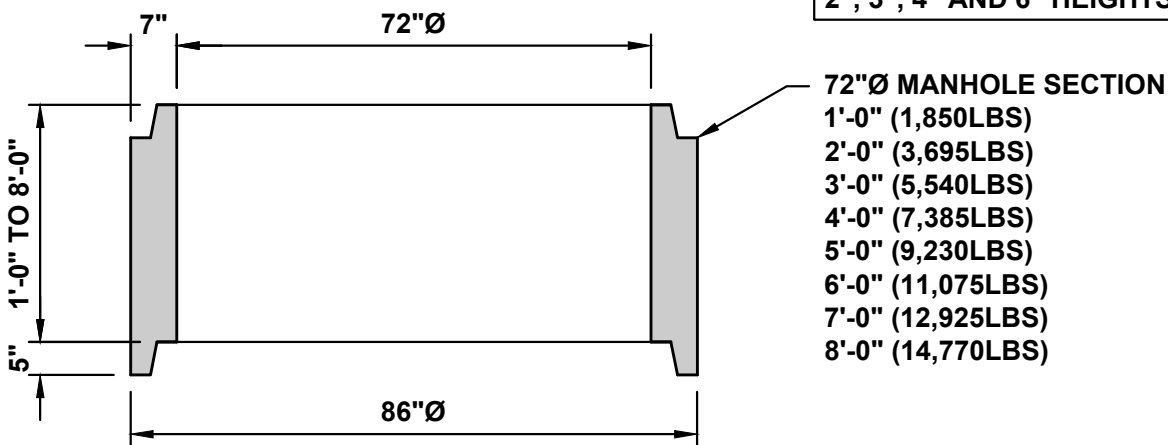


JOINT DETAIL

STANDARD JOINT SEALANT IS MASTIC. RUBBER GASKET IS OPTIONAL.



GRADE RINGS AVAILABLE IN 2", 3", 4" AND 6" HEIGHTS



SECTION VIEW

- NOTES:
1. MANHOLE ASSEMBLY CONFORMS TO ASTM-C478.
 2. ALL MANHOLE JOINTS SEALED WITH MASTIC OR RUBBER GASKET.
 3. REINFORCING AS PER WSDOT STANDARD PLANS.