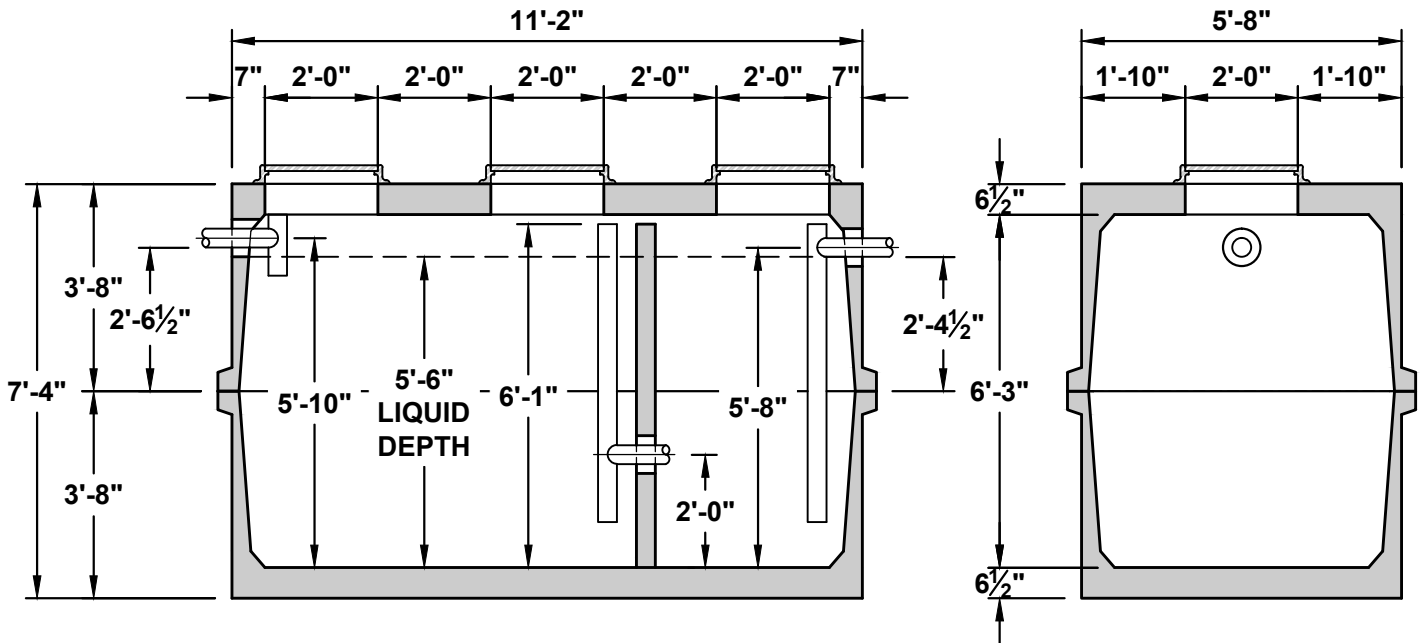
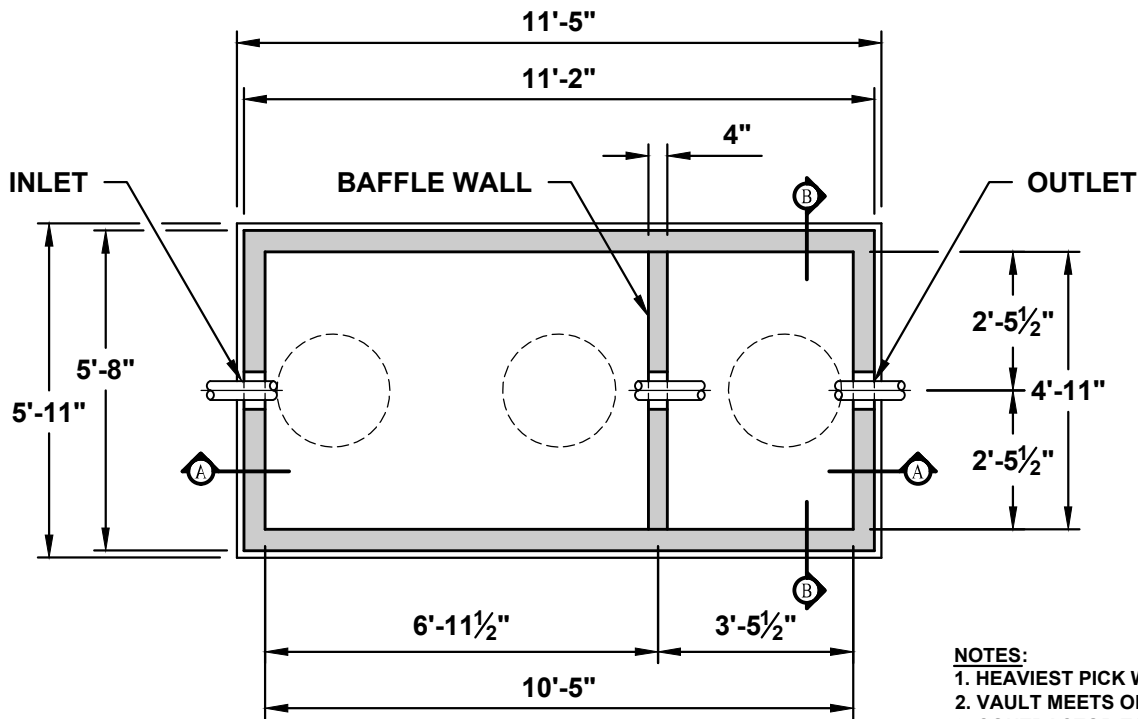


2000 GALLON GREASE INTERCEPTOR (5106)



SECTION A-A

SECTION B-B



PLAN VIEW

- NOTES:**
1. HEAVIEST PICK WEIGHT = 11,200LBS.
 2. VAULT MEETS OR EXCEEDS ASTM-C857 & H20-44.
 3. CONTRACTOR TO GROUT PVC PIPE PENETRATIONS.
 4. CONTRACTOR TO GROUT IN BAFFLE WALL.
 5. CONTRACTOR TO SUPPLY & INSTALL PIPE IN FIELD.