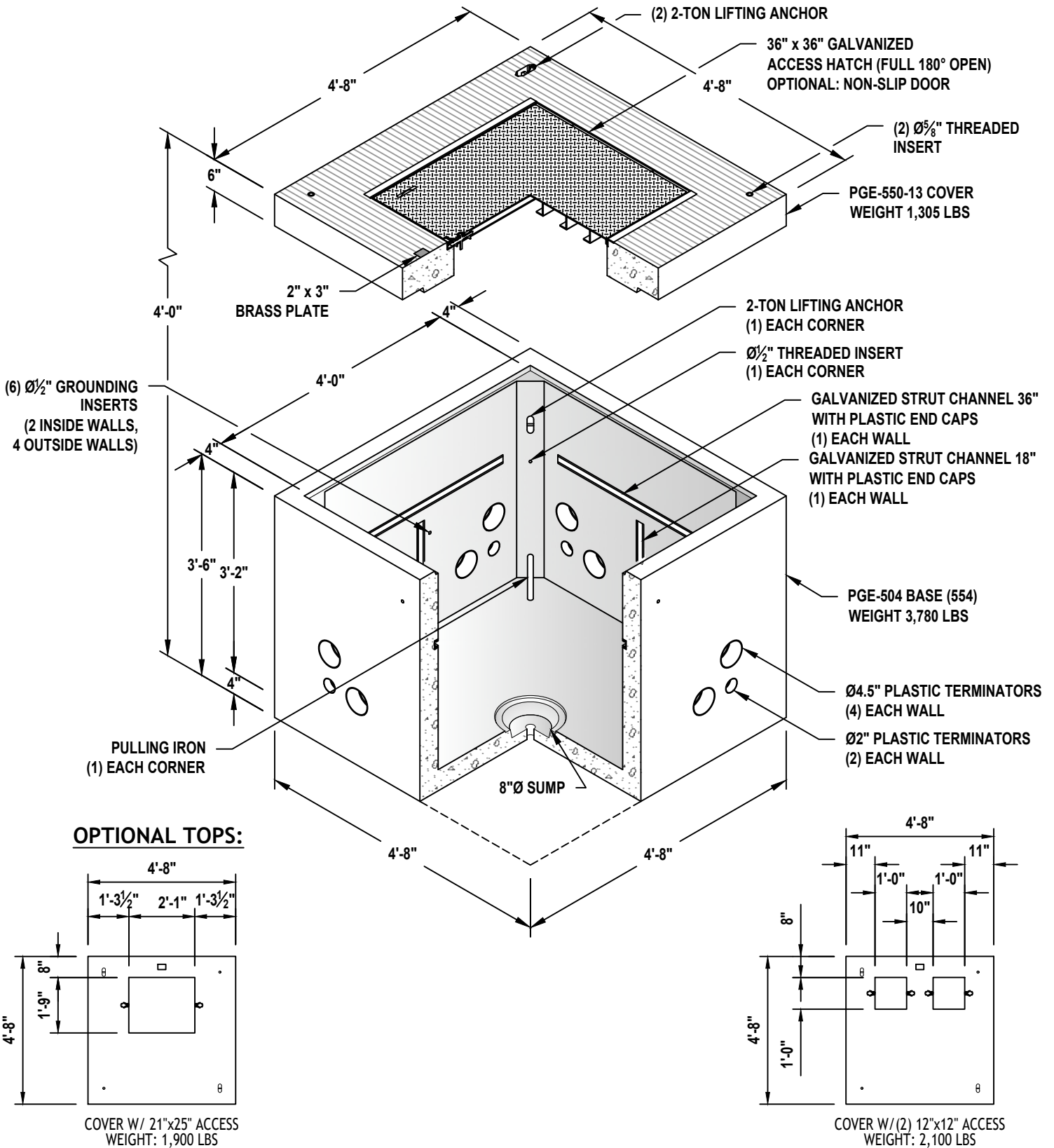


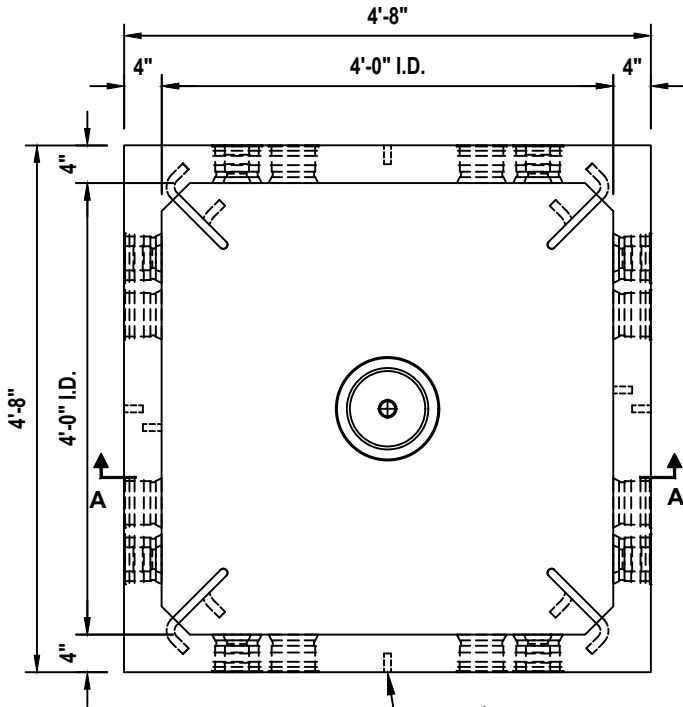
# PGE - 554 Vault (504)



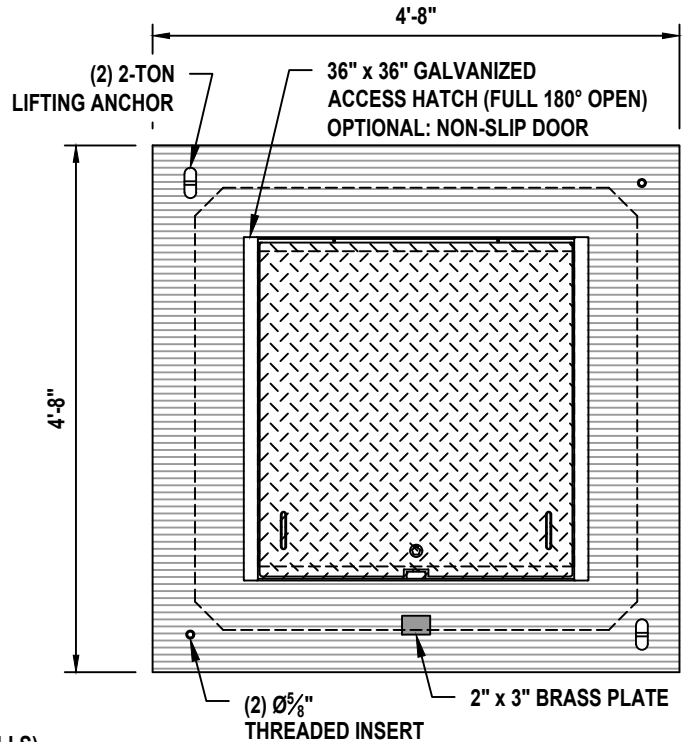
PGE L26100 1-5-12 56 x 56 x 42 (554-PGE)

SHEET 1 OF 2

# PGE - 554 Vault (504)

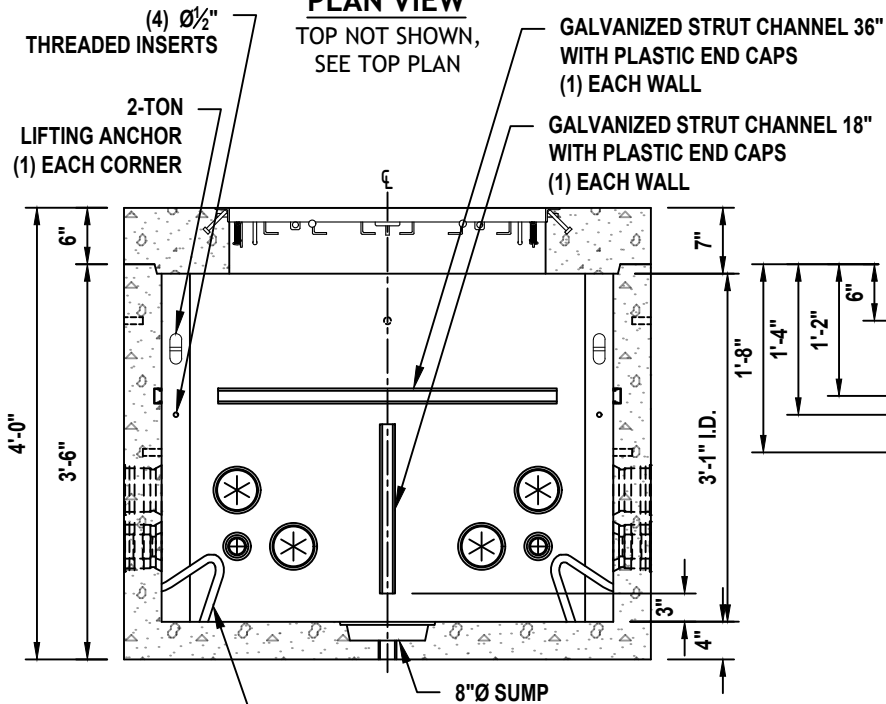


(6)  $\varnothing\frac{1}{2}$ " GROUNDING INSERTS  
 (2 INSIDE WALLS, 4 OUTSIDE WALLS)



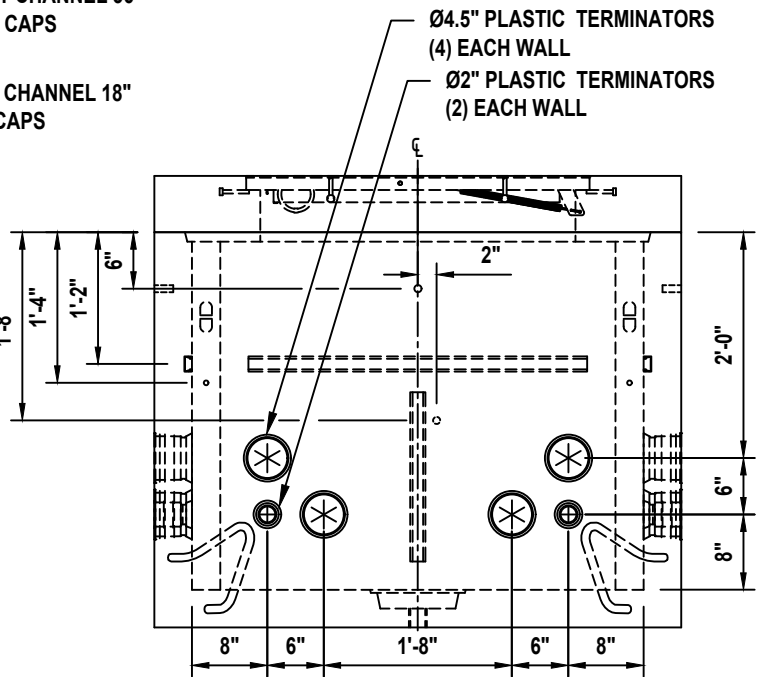
## PLAN VIEW

TOP NOT SHOWN, SEE TOP PLAN



## SECTION A-A

## TOP PLAN



## END VIEW

PGE L26100 1-5-12

56 x 56 x 42 (554-PGE)

SHEET 2 OF 2