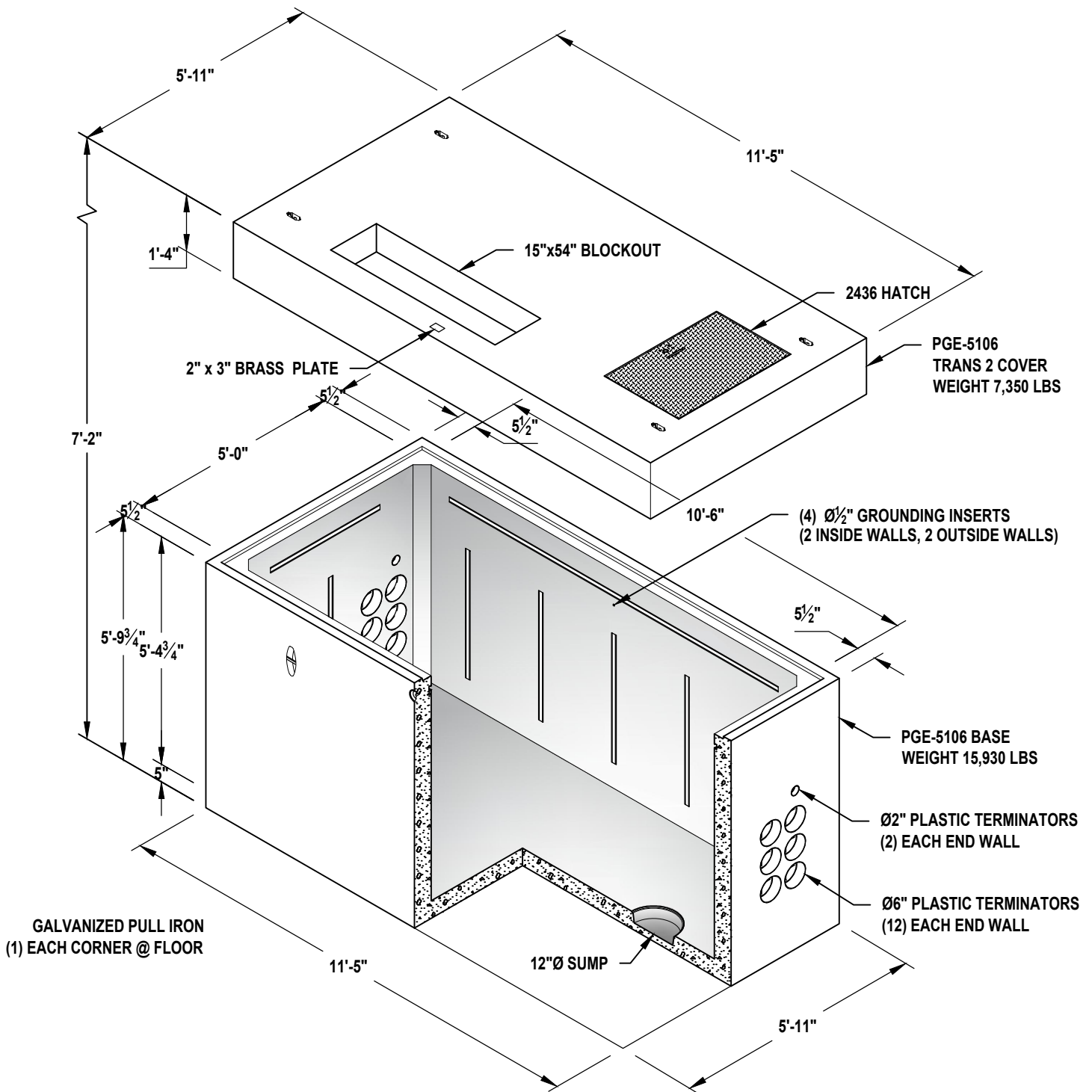


PGE - 5106 TRANS 2 VAULT

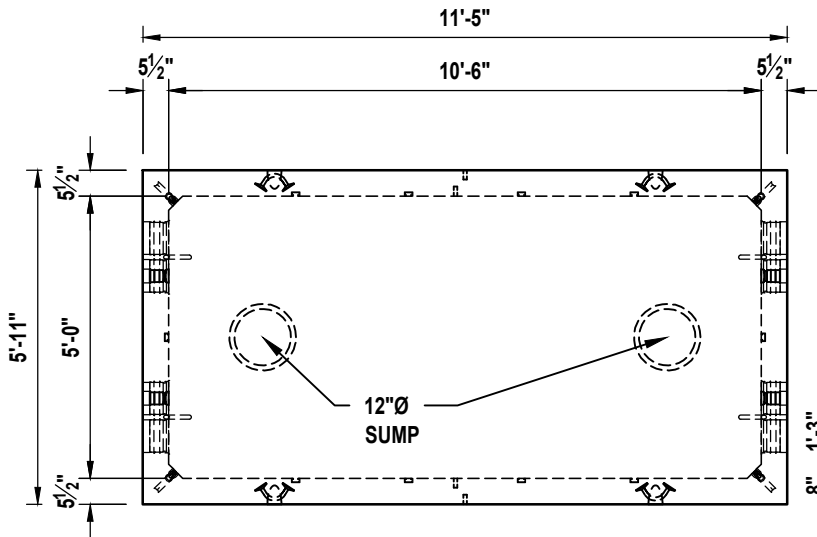


PGE L26100 1-5-12

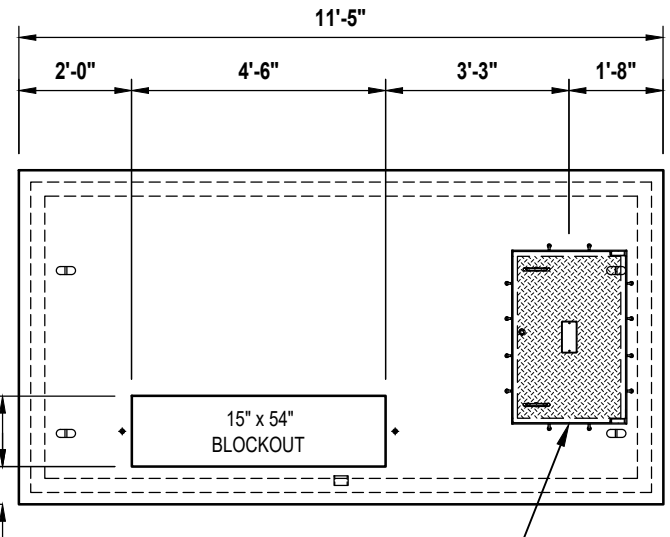
71 x 137 x 86 (5106-PGE)

SHEET 1 OF 2

PGE - 5106 TRANS 2 VAULT

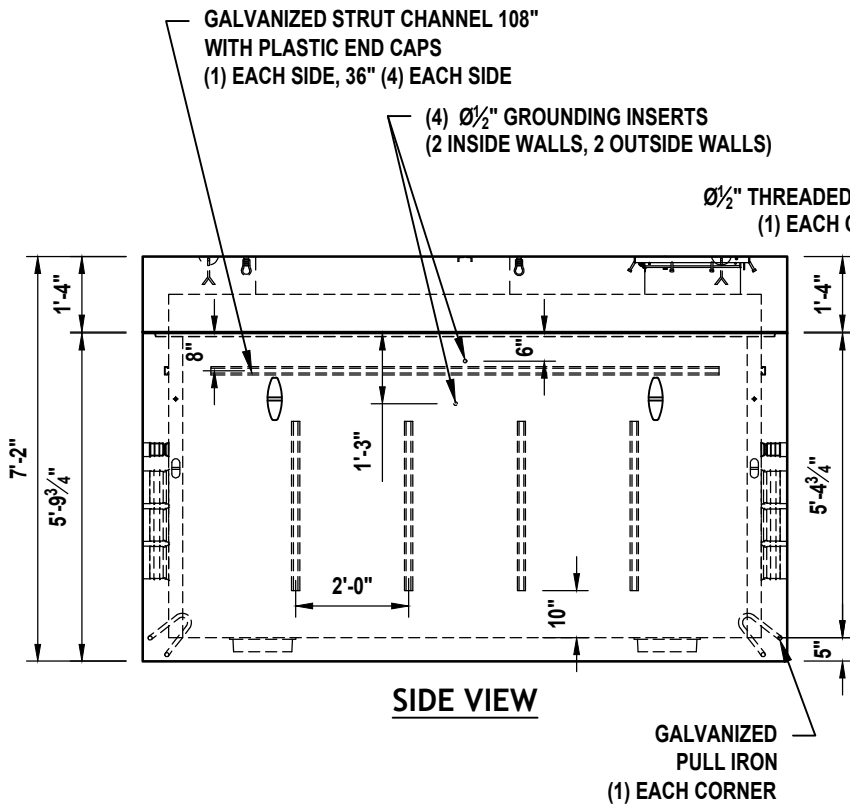


PLAN VIEW BASE

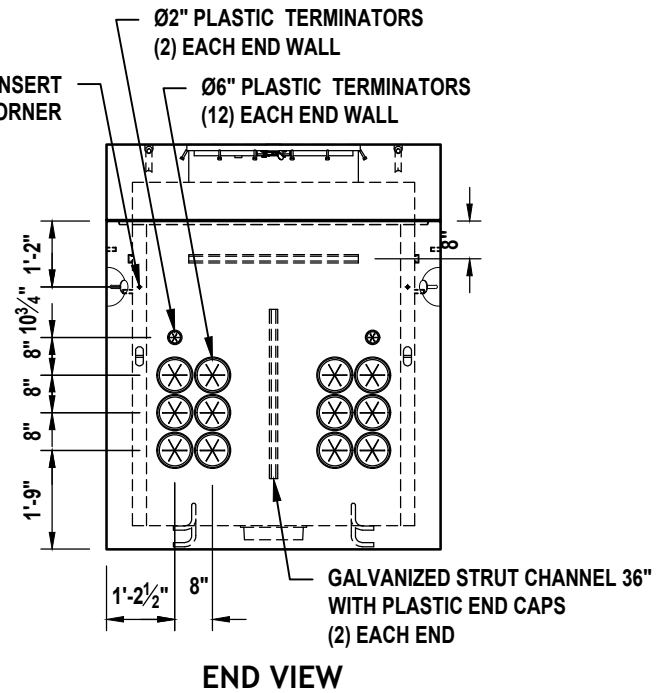


PLAN VIEW TOP

2436 HATCH



SIDE VIEW



END VIEW

GALVANIZED STRUT CHANNEL 108" WITH PLASTIC END CAPS (1) EACH SIDE, 36" (4) EACH SIDE

(4) Ø1/2" GROUNDING INSERTS (2 INSIDE WALLS, 2 OUTSIDE WALLS)

Ø1/2" THREADED INSERT (1) EACH CORNER

Ø2" PLASTIC TERMINATORS (2) EACH END WALL

Ø6" PLASTIC TERMINATORS (12) EACH END WALL

GALVANIZED STRUT CHANNEL 36" WITH PLASTIC END CAPS (2) EACH END

GALVANIZED PULL IRON (1) EACH CORNER

PGE L26100 1-5-12

71 x 137 x 86 (5106-PGE)

SHEET 2 OF 2