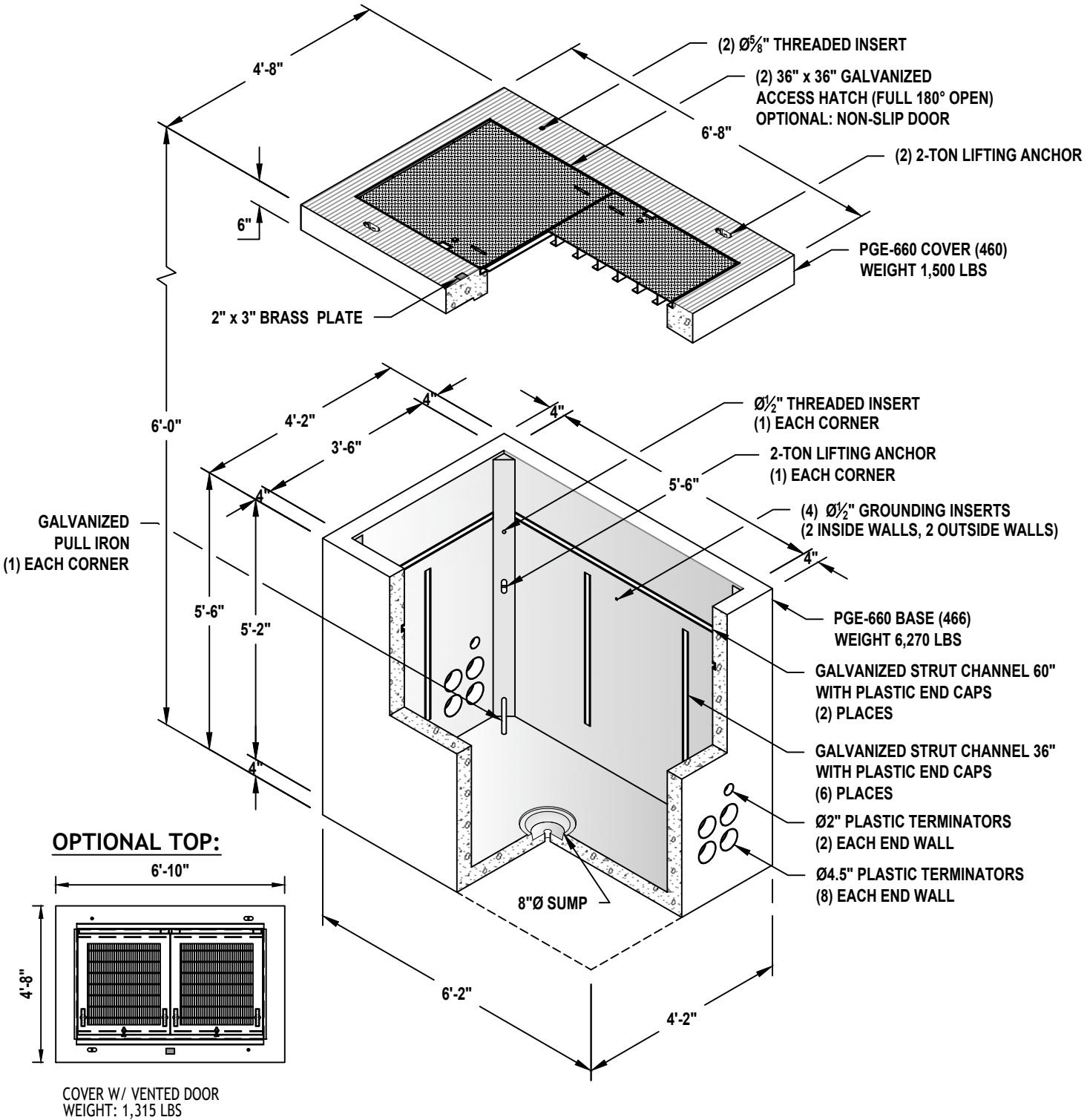


PGE - 466 VAULT (660)

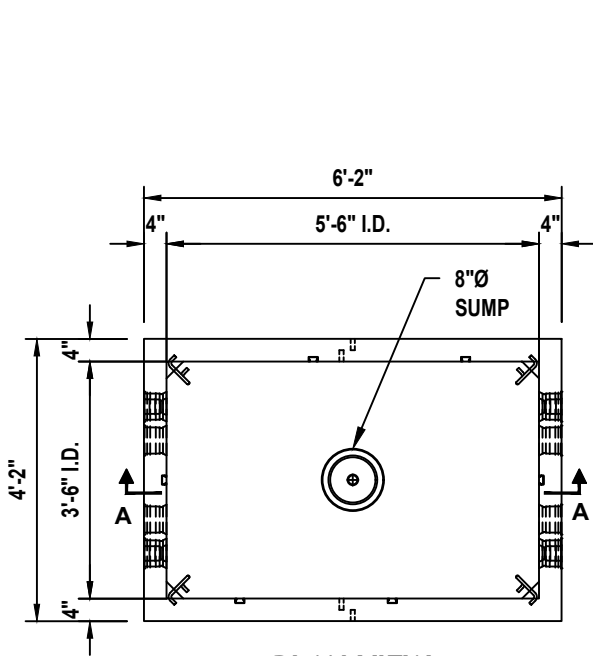


PGE L26100 1-5-12

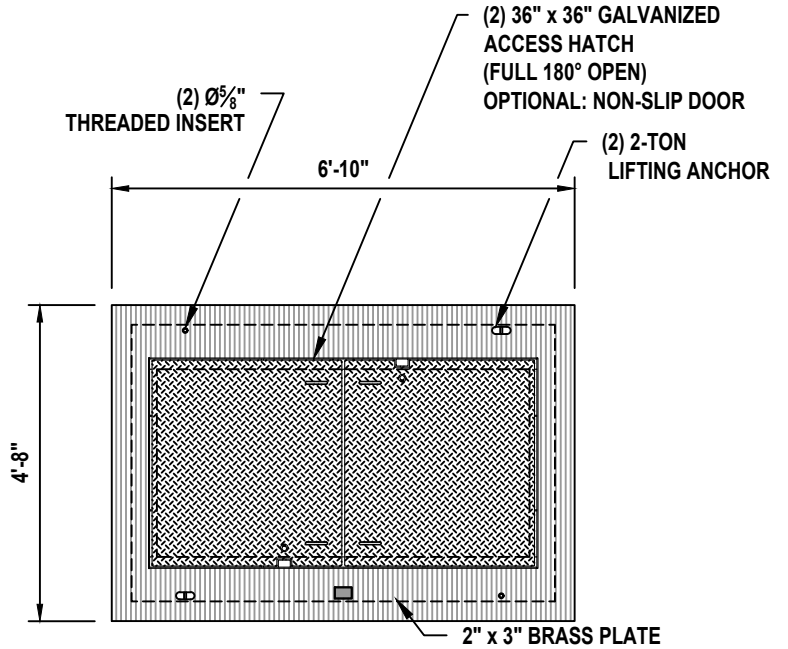
48 x 72 x 66 (660-PGE)

SHEET 1 OF 2

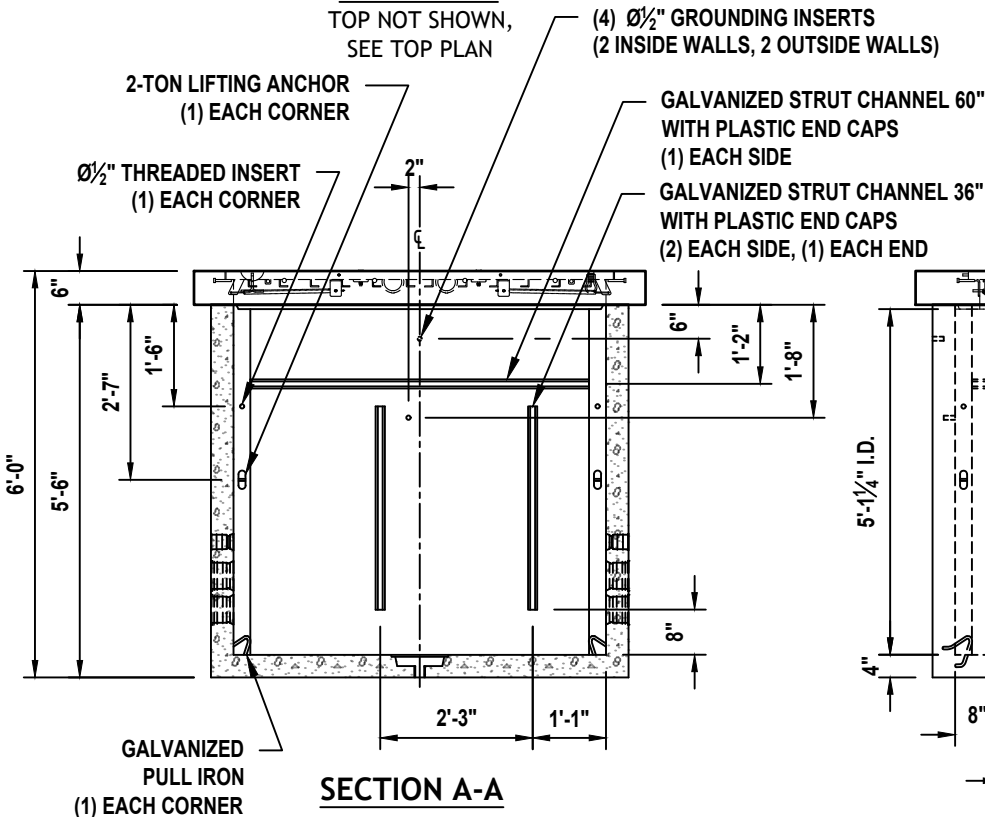
PGE - 466 VAULT (660)



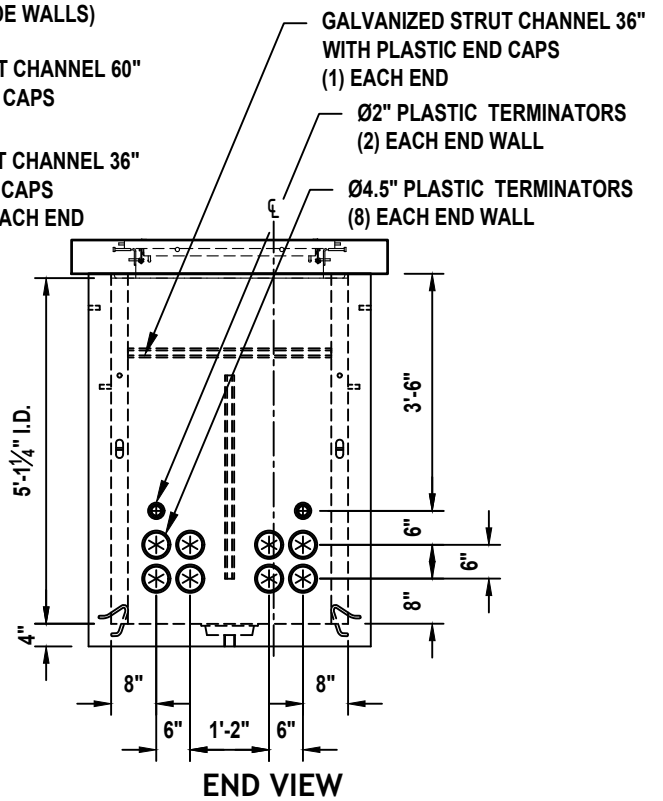
PLAN VIEW



TOP PLAN



SECTION A-A



END VIEW

PGE L26100 1-5-12

48 x 72 x 66 (466-PGE)

SHEET 2 OF 2