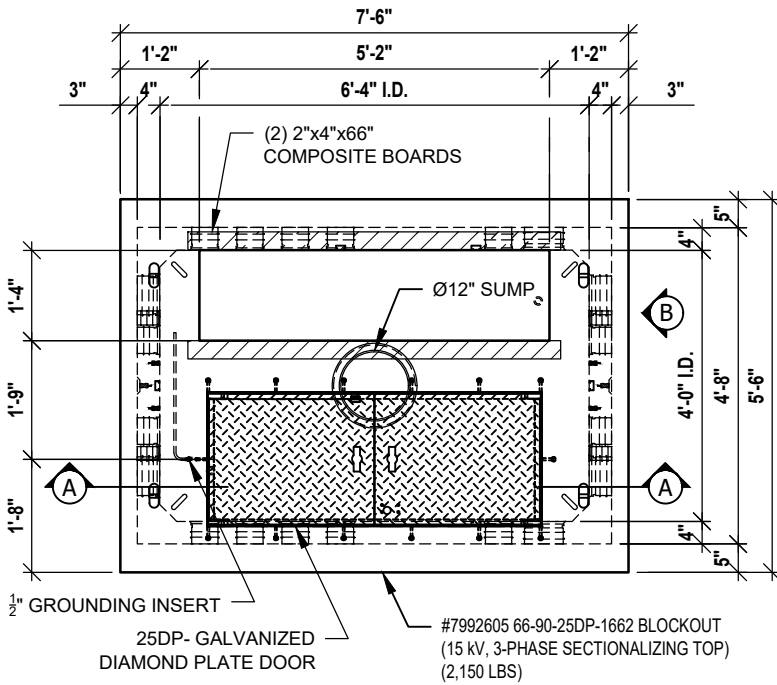
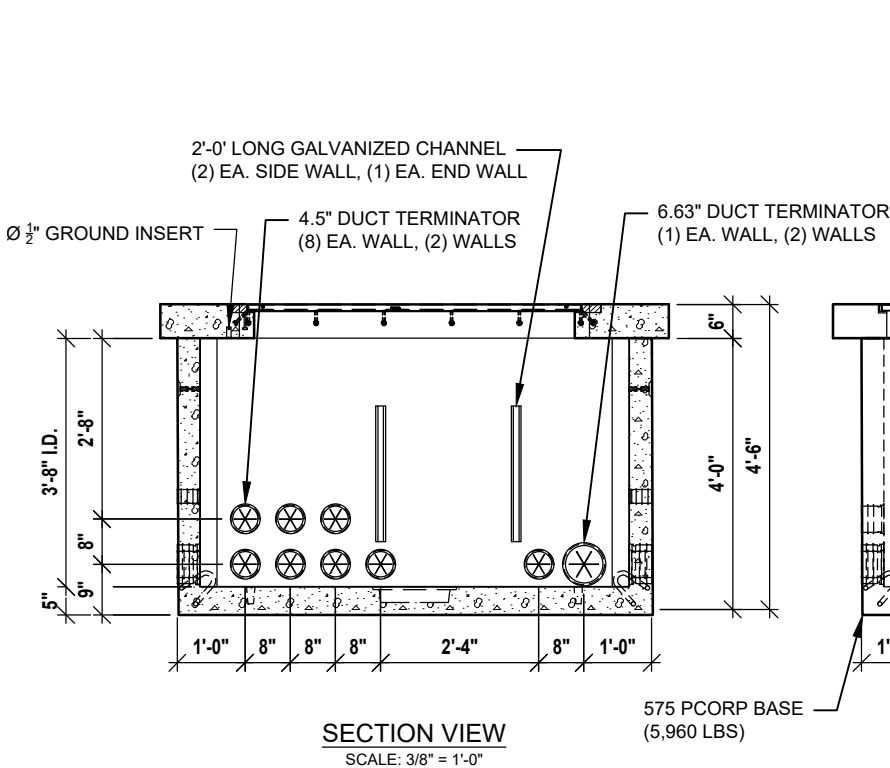


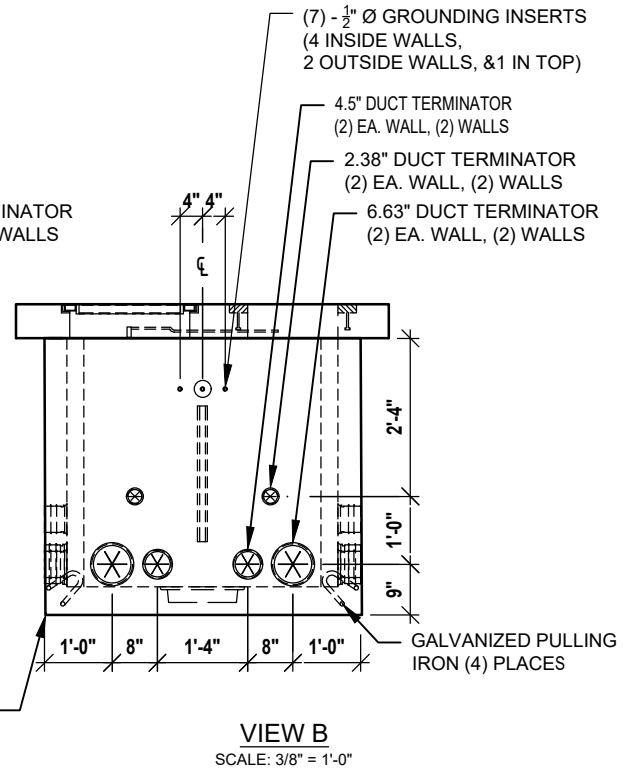
# PACIFIC CORP 575 SECT #7992605



**PLAN VIEW**  
SCALE: 3/8" = 1'-0"



**SECTION VIEW**  
SCALE: 3/8" = 1'-0"



**VIEW B**  
SCALE: 3/8" = 1'-0"

**NOTES:**  
1. WEIGHTS LISTED ARE APPROXIMATE.

PCORP ZG621 06-13-13