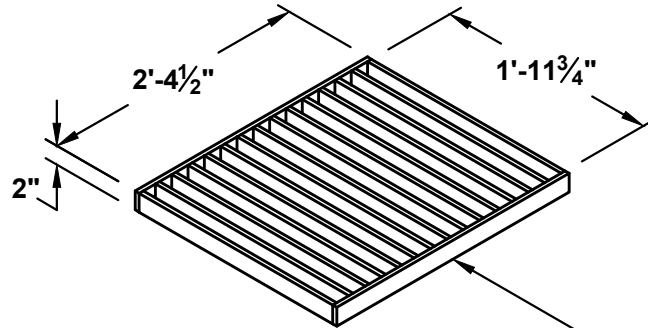
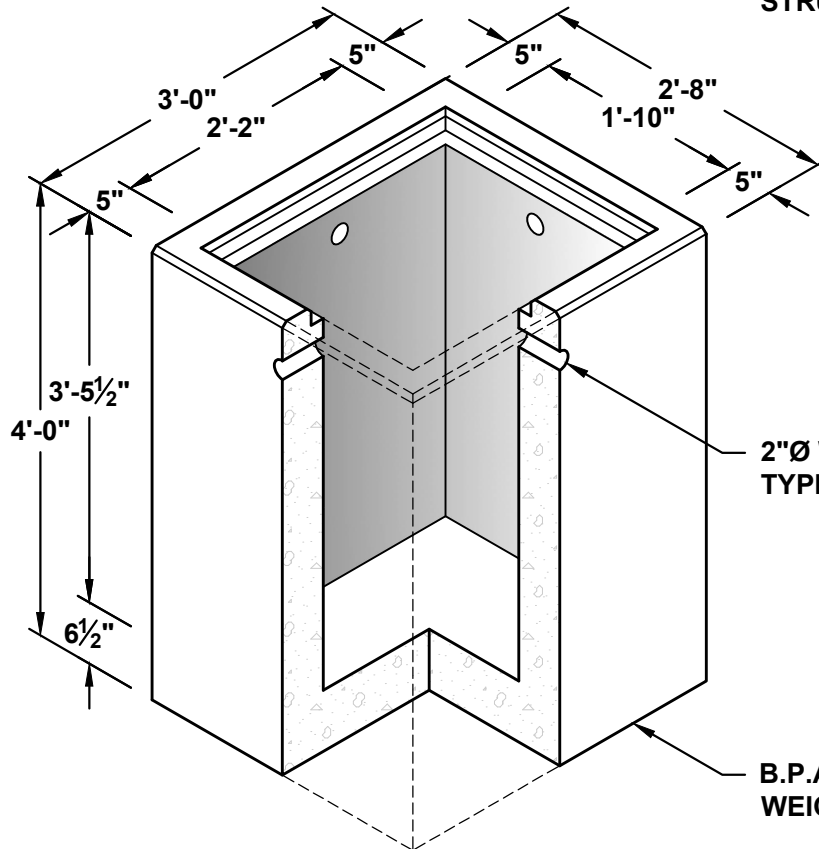


# B.P.A. - CATCH BASIN



**GRATE CONSTRUCTION**  
1/2" x 2" BARS @ 2" O.C.  
STRUCTURAL STEEL A-36



**2"Ø WEEP HOLE**  
TYPICAL (1) EACH WALL

**B.P.A. CATCH BASIN**  
WEIGHT 2,765LBS

**NOTES:**  
1. ALL DIMENSIONS SUBJECT TO ALLOWABLE TOLERANCES.